

The present document was valid at the time of print. A later version may be available online

WM 971519 Removing and installing front wiring harness

Preliminary work

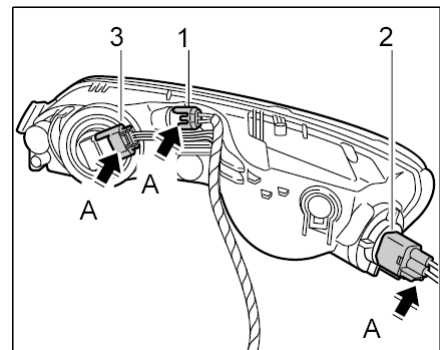
Preliminary work for front wiring harness

Removing front apron. → 631519 *Removing and installing front apron - chapter on "Removing"*

Removing front wiring harness

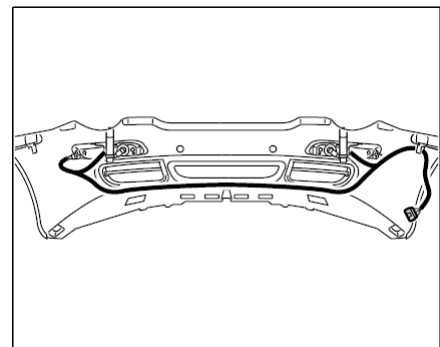
Removing front wiring harness

1. Release electric connector on auxiliary headlight **-A-**



Releasing electric connector on auxiliary headlight, shown here on 911 headlight

2. Disengage electric lines from auxiliary headlight and front apron.



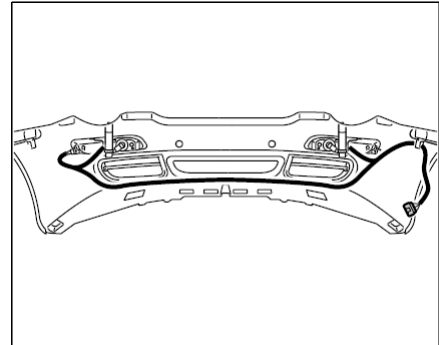
Laying the wiring harness

3. Remove wiring harness.

Installing front wiring harness

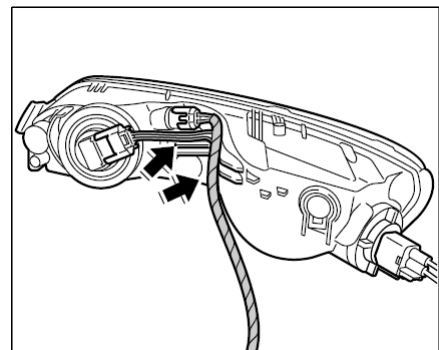
Installing front wiring harness

1. Position and engage wiring harness in front apron.



Laying the wiring harness

2. Connect plug connection to auxiliary headlight and engage the lines on the auxiliary headlight.



*Engaging lines on auxiliary headlight,
shown here on 911 headlight*

Subsequent work

Subsequent work for front wiring harness

Installing front apron. → *631519 Removing and installing front apron - chapter on "Installing"*

997110, 997111, 997120, 997121, 997310, 997311, 997320, 997321, 997410, 997411, 997420, 997421, 997430, 997431, 997510, 997511, 997520, 997521, 997610, 997611, 997620, 997621, 997630, 997631, 997810, 997811, 997840, 997841, 997850, 997851

Model year as of 2005, Model year up to 2008

C00, C02, C05, C07, C08, C09, C10, C11, C12, C13, C14, C15, C16, C18, C19, C20, C21, C22, C23, C24, C25, C26, C27, C28, C32, C33, C34, C35, C36, C37, C38, C39, C45, C46, C98, C99