

The present document was valid at the time of print. A later version may be available online

WM 971619 Removing and installing wire harness for front-end

Technical values

Location	Description	Type	Basic value	Tolerance 1	Tolerance 2
Fastening nut, ground straps to body (M6)		Tightening torque	9 Nm (6.5 ftlb.)		

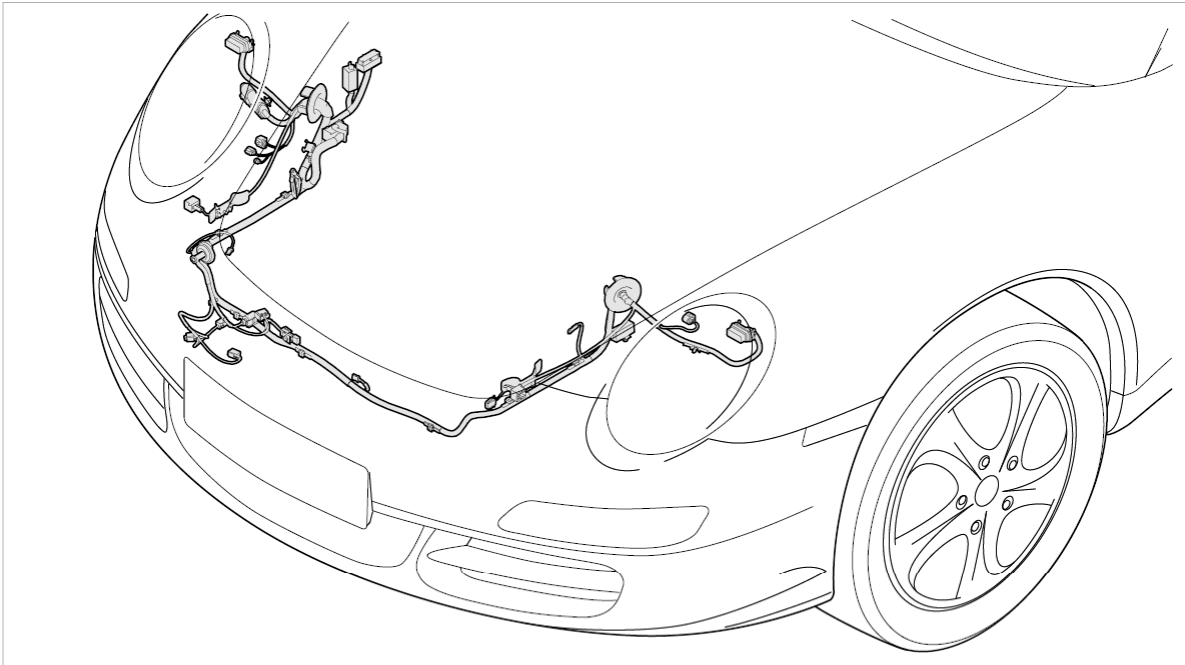
Preliminary work

Preliminary work

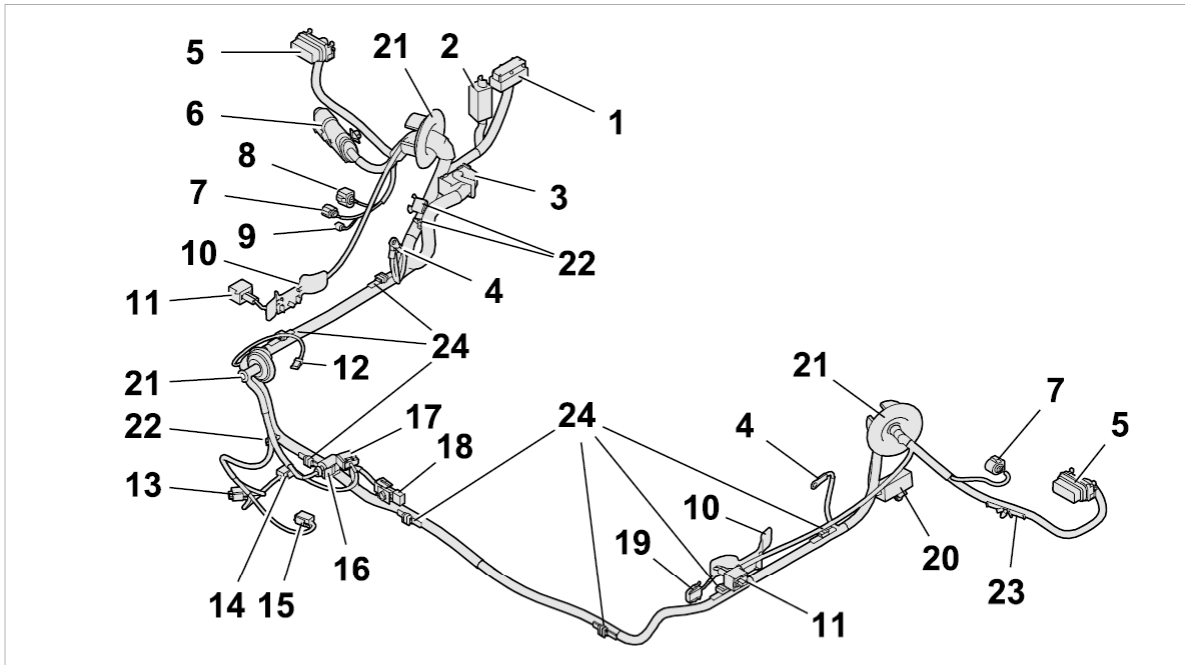
1. Disconnect battery. → *271000 Work instructions after disconnecting the battery*
2. Remove luggage compartment linings → *703019 Removing and installing luggage-compartment cover - chapter on "Removing"*
3. Remove front-end control unit. → *944919 Removing and installing front-end control unit - chapter on "Removing"*
4. Remove left and right headlight. → *941519 Removing and installing headlight - chapter on "Removing"*
5. Remove front apron. → *631519 Removing and installing front apron - chapter on "Removing"*

Removing wire harness for front-end

Removing wire harness for front-end



Installation position for wire harness at front end of car, shown on 911



Overview of connectors for front-end wire harness

- 1 - Plug connection for front-end wire harness to main wire harness, right
- 2 - Fuse box for fan
- 3 - Connector for front-end control unit
- 4 - Ground point, left and right
- 5 - Connector for headlight, left and right
- 6 - Plug connection between front-end wire harness and front apron wire harness
- 7 - Plug connection for coolant fan
- 8 - Connector for control unit for coolant control
- 9 - Connector for control unit for coolant control
- 10 - Cable guide for sensor line for airbag, front left and right
- 11 - Connector for sensor line for airbag, front left and right
- 12 - Connector for emergency release, front
- 13 - Connector for outside temperature sensor
- 14 - Connector for horn, high-pitch
- 15 - Connector for horn, low-pitch

- 16 - Connector for servo motor for front lid release
- 17 - Connector for control unit for garage door opener/HomeLink
- 18 - Plug connection for microswitch for roof lock, front
- 19 - Connector for servo motor for lid, front
- 20 - Plug connection between front-end wire harness and main wire harness, left
- 21 - Grommet
- 22 - Tie-wrap
- 23 - Line holder
- 24 - Line holder



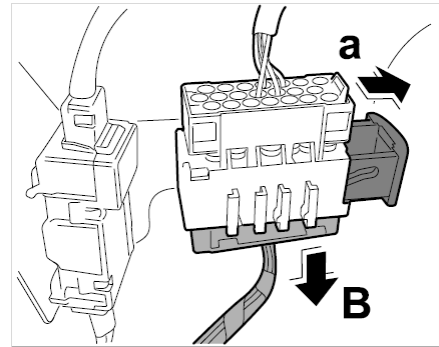
Information

If a spare part is requested, a standard wire harness with a connection point (plug connection) is supplied for all models. This wire harness is installed as of model year 2006.

For model year 2005 vehicles, the “old” plug connection must be removed from the “old” wire harness and fitted on the “new” wire harness.

- Pin assignment according to wiring diagram.

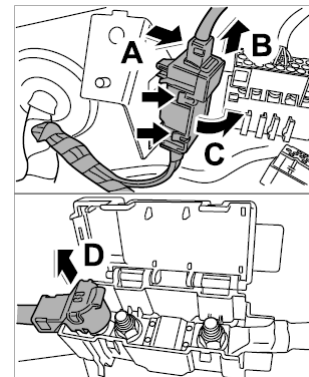
1. Disconnect plug connection between front-end wire harness and main wire harness, right -1- .



Disconnecting plug connection between front-end wire harness and main wire harness, right

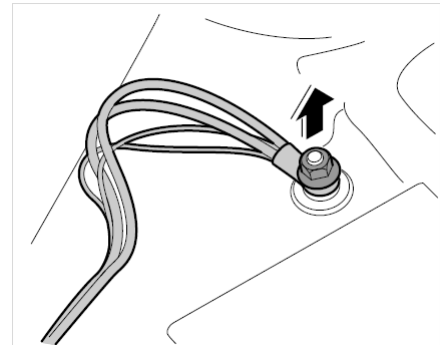
- 1.1. Release plug connection between front-end wire harness and main wire harness, right -**arrow a**- and disconnect -**arrow B**- .

2. Pull off connector on fuse box for fan -2- .



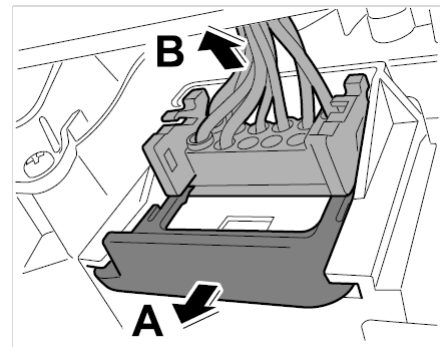
Pulling off connector on fuse box for fan

- 2.1. Unclip fuse box for fan **-arrow A-** and lift up and off **-arrow B-** .
- 2.2. Release lid **-arrows-** and open **-arrow C-** .
- 2.3. Pull off connector on fuse box for fan **-arrow D-** .
3. Loosen ground point **-4-** at left and right.



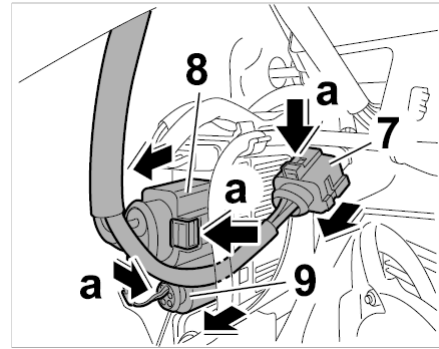
Loosening ground point

- 3.1. Screw off fastening nut and remove ground straps.
4. Pull off connector on headlight **-5-** at left and right.



Pulling off connector on headlight

- 4.1. Pull securing clip down and out **-arrow A-** .
- 4.2. Pull off connector on headlight at left and right **-arrow B-** .
5. Pull off connector and plug connection on control unit for coolant control **-7 to 9-** .



Removing plug on control unit for coolant control

- 5.1. Release and remove plug connection to coolant fan **-7-** .
- 5.2. Release and remove connector on control unit for coolant control **-8 and 9-** .
6. Unclip cable guide for sensor line for front airbag **-10-** .
7. Release connectors on both sensors for front airbag **-11-** and pull them off. → *695119 Removing and installing airbag sensor - section on "Removing"*
8. Unclip front-end wire harness on right side at tie-wraps **-22-** .
9. Unclip front-end wire harness on left side at holders **-23-** .

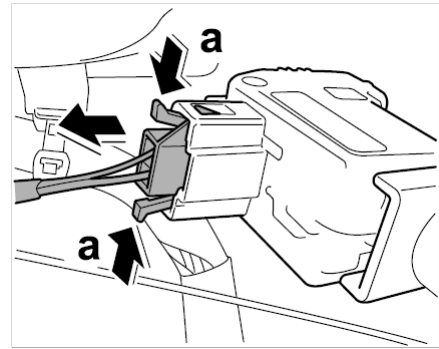


Information

Only for USA/Canada version vehicles

10. Release connector on front emergency release **-12-** and pull it off. → *556219 Removing and installing front emergency release - section on "Removing"*
11. Release connector for outside temperature sensor **-13-** and pull it off. → *916819 Removing and installing outside temperature sensor - section on "Removing"*
12. Release connectors on both horns **-14 and 15-** and pull them off. → *905019 Removing and installing horn - section on "Removing"*
13. Release and pull off connector on servo motor for front lid release **-16-** . → *551319 Removing and installing release for front lid - section on "Removing"*
14. Release and pull off connector on control unit for garage door opener/HomeLink **-17-** .
→ *967919 Removing and installing control unit for garage door opener - section on "Removing"*
15. Unclip front-end wire harness on right side at tie-wraps **-22-** .
16. Release and disconnect plug connection on microswitch for lower part of front lid lock **-18-** .
→ *551719 Removing and installing lower part of front lid lock - section on "Removing"*

17. Release connector on servo motor for front lid **-19-** and **-arrows a-** pull it off.



Pull off connector on servo motor for front lid

18. Release plug connection for front-end wire harness to main wire harness, left **-20-** and disconnect.
19. Pull off holders **-24-** .
20. Remove the three grommets **-21-** and pull the wire harness through the openings in the body.
21. Remove wire harness for front-end.

Installing wire harness for front-end

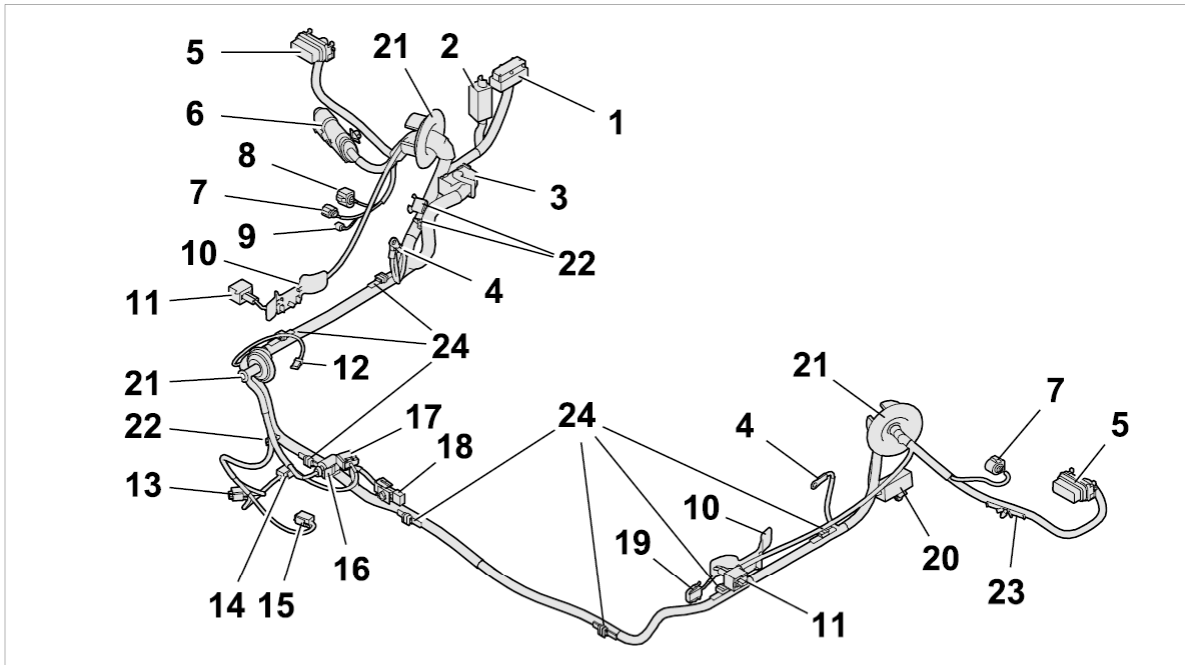
Installing wire harness for front-end



Information

The wire harness for front end spare parts scope means the scope for fully-equipped vehicles. Depending on the vehicle equipment, connectors not required are tied to the wire harness for front end using tie-wraps.

When doing this, ensure the lines are routed correctly so that no line becomes trapped or damaged.

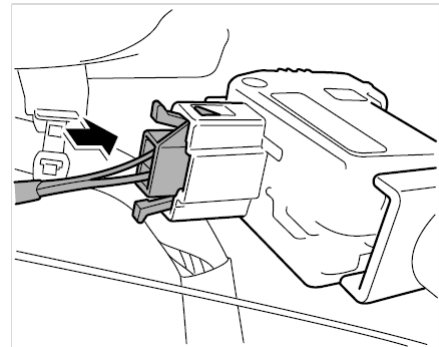


Overview of connectors for front-end wire harness

- 1 - Plug connection for front-end wire harness to main wire harness right
- 2 - Fuse box for fan
- 3 - Connector for front-end control unit
- 4 - Ground point, left and right
- 5 - Connector for headlight, left and right
- 6 - Plug connection between front-end wire harness and front apron wire harness
- 7 - Plug connection for coolant fan
- 8 - Connector for control unit for coolant control
- 9 - Connector for control unit for coolant control
- 10 - Cable guide for sensor line for airbag, front left and right
- 11 - Connector for sensor line for airbag, front left and right
- 12 - Connector for emergency release, front
- 13 - Connector for outside temperature sensor
- 14 - Connector for horn, high-pitch
- 15 - Connector for horn, low-pitch

- 16** - Connector for servo motor for front lid release
- 17** - Connector for control unit for garage door opener/HomeLink
- 18** - Plug connection for microswitch for roof lock, front
- 19** - Connector for servo motor for lid, front
- 20** - Plug connection for front-end wire harness to main wire harness, left
- 21** - Grommet
- 22** - Tie-wrap
- 23** - Line holder
- 24** - Line holder

1. Lay wire harness for front-end.
2. Push the wire harness for the front-end through the openings in the body and fit the three grommets **-21-** .
3. Fasten wire harness for the front-end with the holders **-24-** to the body.
4. Push together plug connection for front-end wire harness to main wire harness, left **-20-** until it engages securely.
5. Push connector onto servo motor for front lid **-19-** .



Pushing connector onto servo motor for front lid

- 5.1. Push connector onto servo motor for front lid until it engages securely.
6. Push together plug connection on microswitch for lower part of front lid lock **-18-** until it engages securely. → *551719 Removing and installing lower part of front lid lock - section on "Installing"*
7. Clip in front-end wire harness on right side at tie-wraps **-22-** .
8. Push connector onto control unit for garage door opener/HomeLink **-17-** until it engages securely. → *967919 Removing and installing control unit for garage door opener - section on "Installing"*
9. Push connector onto servo motor for front lid release **-16-** until it engages securely. → *551319 Removing and installing release for front lid - section on "Installing"*
10. Push connectors onto the two horns **-14 and 15-** until they click into place. → *905019 Removing and*

installing horn - section on "Installing"

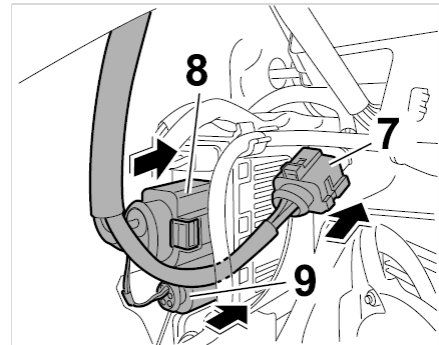
11. Push connector onto outside temperature sensor **-13-** until it engages securely. → *916819 Removing and installing outside temperature sensor - section on "Installing"*



Information

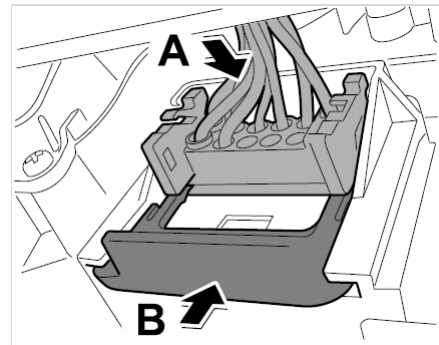
Only for USA/Canada version vehicles

12. Push connector onto front emergency release **-12-** until it engages securely. → *556219 Removing and installing front emergency release - section on "Installing"*
13. Clip in front-end wire harness on left side at holder **-23-** .
14. Clip in front-end wire harness on right side at tie-wraps **-22-** .
15. Push connectors onto both sensors for front airbag **-11-** until they engage securely. → *695119 Removing and installing airbag sensor - section on "Installing"*
16. Clip in cable guide for sensor line for front airbag **-10-** .
17. Push connector and plug connection onto control unit for coolant control **-7 to 9-** .



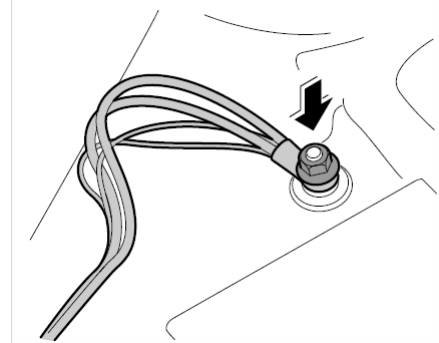
Pushing connectors onto control unit for coolant control.

- 17.1. Push the two connectors onto the control unit for coolant control **-8 and 9-** until they engage securely.
- 17.2. Push on plug connection to coolant fan **-7-** until it engages securely.
18. Push connector onto headlight **-5-** at the left and right.

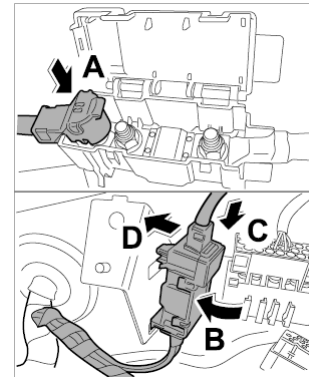


Pushing connector onto headlight

- 18.1. Push connector onto headlight at left and right **-arrow A-** .
- 18.2. Push on securing clip from below until it engages securely **-arrow B-** .
19. Fasten ground point **-4-** at the left and right.

*Securing ground point*

- 19.1. Connect ground straps and screw down fastening nut. → **Tightening torque: 9 Nm (6.5 ftlb.)**
20. Push connector onto fuse box for fan **-2-** .

*Pushing connector onto fuse box for fan*

- 20.1. Push connector onto fuse box for fan **-arrow A-** .
- 20.2. Close lid **-arrow B-** until it engages securely.
- 20.3. Position fuse box below on the clip **-arrow C-** and clip it in **-arrow D-** .

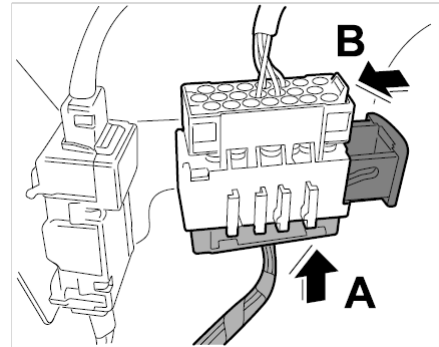
**Information**

If a spare part is requested, a standard wire harness with a connection point (plug connection) is supplied for all models. This wire harness is installed as of model year 2006.

For model year 2005 vehicles, the “old” plug connection must be removed from the “old” wire harness and fitted on the “new” wire harness.

- *Pin assignment according to wiring diagram.*

21. Push together plug connection between front end wire harness and main wire harness at the right **-1-** .



Pushing together plug connection between front end wire harness and main wire harness at the right

- 21.1. Push together plug connection between front end wire harness and main wire harness at the right **-arrow A-** and lock it **-arrow B-** until it engages securely.

Subsequent work

Subsequent work

1. Install front apron. → *631519 Removing and installing front apron - chapter on "Installing"*
2. Install headlight at left and right. → *941519 Removing and installing headlight - chapter on "Installing"*
3. Installing front-end control unit → *944919 Removing and installing front-end control unit - chapter on "Installing"*
4. Install linings for luggage compartment. → *703019 Removing and installing luggage compartment cover - chapter on "Installing"*
5. Carry out work instructions after disconnecting the battery. → *271000 Work instructions after disconnecting the battery*

997110, 997111, 997120, 997121, 997310, 997311, 997320, 997321, 997410, 997411, 997420, 997421, 997430, 997431, 997510, 997511, 997520, 997521, 997610, 997611, 997620, 997621, 997630, 997631, 997810, 997811, 997840, 997841, 997850, 997851, 997140, 997141, 997450, 997451, 997650, 997651, 997720, 997721, 997820, 997830, 997860, 997861

Model year as of 2005

C00, C02, C05, C07, C08, C09, C10, C11, C12, C13, C14, C15, C16, C18, C19, C20, C21, C22, C23, C24, C25, C26, C27, C28, C32, C33, C34, C35, C36, C37, C38, C39, C45, C46, C98, C99