


The present document was valid at the time of print. A later version may be available online

WM 972519 Removing and installing rear wire harness

Tools

Designation	Type	Number	Description	
Disassembly tool, universal	Commercially available tool	Nr.21		

Technical values

Location	Description	Type	Basic value	Tolerance 1	Tolerance 2
Fastening screws securing B+ lead to transmission		Tightening torque	10 Nm (7.5 ftlb.)		
Fastening nut securing wheel sensor connector socket to wheel carrier (M6)		Tightening torque	10 Nm (7.5 ftlb.)		
Fastening nut securing ground straps to body (M6)		Tightening torque	9 Nm (6.5 ftlb.)		
Fastening screw securing mounting saddle to body (M6 x 25)	-1-	Tightening torque	10 Nm (7.5 ftlb.)		
Fastening screws for support	-2-	Tightening torque	7.2 Nm (5.5 ftlb.)		
Fastening screw securing seat belt to body	-4-	Tightening torque	50 Nm (37 ftlb.)		
Fastening screw securing lateral footwell trim panel (driver's side) to body	-2-	Tightening torque	3 Nm (2 ftlb.)		

Preliminary work

Preliminary work

1. Disconnect battery. → 271000 Work instructions after disconnecting the battery
2. Remove front seat at left and right. → 720119 Removing and installing front seat - section on "Removing"
3. Remove left and right scuff plate. → 680519 Removing and installing inner door sill trim - section on "Removing"
4. Remove rear side trim panel at left and right. → 707519 Removing and installing rear side trim panel - section on "Removing"

**Information**

Only in the coupé.

5. Remove C-pillar trim panel. → *706819 Removing and installing C-pillar trim panel - section on "Removing"*
6. Removing rear wall trim panel → *703119 Removing and installing trim panel for rear wall - section on "Removing"*
7. Remove trim panel for seat well. → *702919 Removing and installing trim panel for seat well - section on "Removing"*
8. Remove relay carrier. → *979019 Removing and installing relay carrier - section on "Removing"*

**Information**

Only in the cabriolet.

9. Remove frame for roll-over protection system. → *697719 Removing and installing frame for roll-over protection system - section on "Removing"*

**Information**

Only in the cabriolet.

10. Remove rear window lifter. → *647119 Removing and installing rear power windows - section on "Removing"*

**Information**

Only in the cabriolet.

11. Remove roll-over bar. → *697219 Removing and installing roll-over bar - section on "Removing"*
12. Remove auxiliary brake light. → *947019 Removing and installing auxiliary brake light - section on "Removing"*
13. Remove rear light at left and right. → *943119 Removing and installing rear light - section on "Removing"*
14. Remove rear spoiler. → *635519 Removing and installing rear spoiler - section on "Removing"*
15. Remove air cleaner housing. → *242519 Removing and installing air cleaner housing - section on "Removing"*
16. Remove reservoir. → *194019 Removing and installing reservoir - section on "Removing"*
17. Remove rear underbody cover. → *519419 Removing and installing rear cover - section on "Removing"*



Information

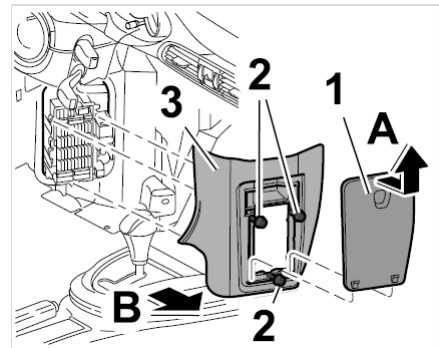
Only for vehicles with tyre pressure monitoring

18. Remove rear wheel housing liner. → 536919 *Removing and installing rear wheel housing liner - section on "Removing"*

Removing rear wire harness

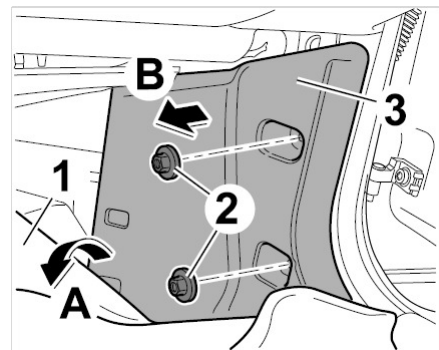
Exposing rear wire harness

1. Remove left footwell trim panel.



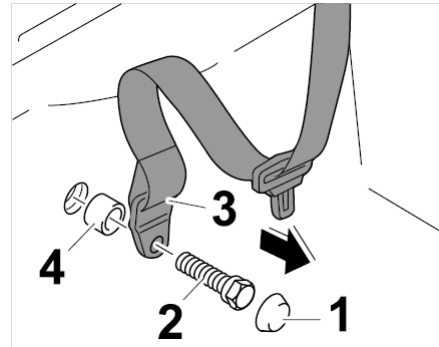
Removing lateral footwell trim on driver's side

- 1.1. Remove fuse carrier cover **-1-** (**-arrow A-**).
- 1.2. Unscrew the three fastening screws **-2-** and take off the footwell trim panel **-3-** (**-arrow B-**).
2. Remove right footwell trim panel.



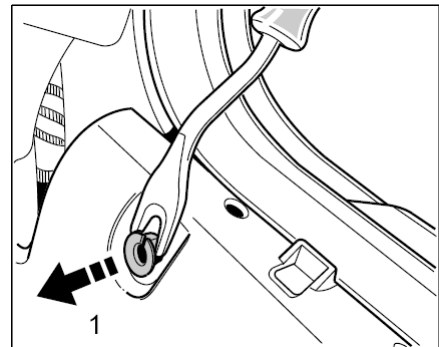
Removing lateral footwell trim on passenger's side

- 2.1. Partly loosen floor covering **-1-** at the bottom in the area of the A-pillar **-arrow A-** .
- 2.2. Unscrew both plastic nuts **-2-** and take off the footwell trim panel **-3-** (**-arrow B-**).
3. Loosen seat belt mount at left and right.



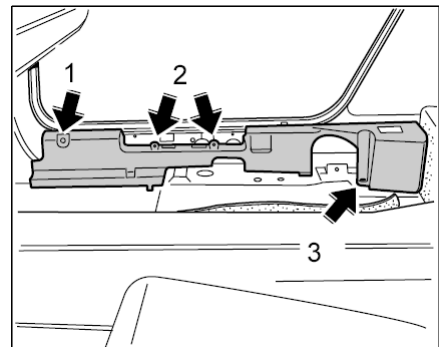
Undoing seat belt and fitting

- 3.1. Press off cap **-1-** with a screwdriver and unscrew the fastening screw **-2-** . Remove seat belt with fitting **-3-** and spacer sleeve **-4-** .
4. Disengage floor covering at the support and lay it in the vehicle interior.
5. Remove left and right support.



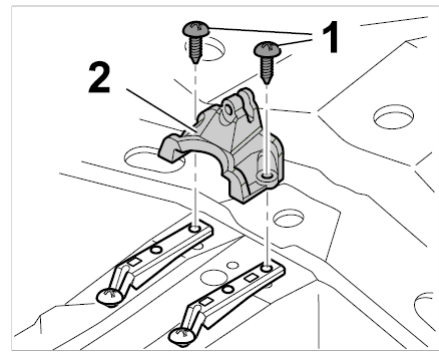
Unlocking locating peg using the removal tool

- 5.1. Unlock locating peg **-1-** of the support using the commercially available removal tool **Disassembly tool, universal Nr.21**.
- 5.2. Unscrew fastening screws **-2-** and nuts **-3-** and carefully pull the support up and out of the retaining points.



Unscrewing fastening screws

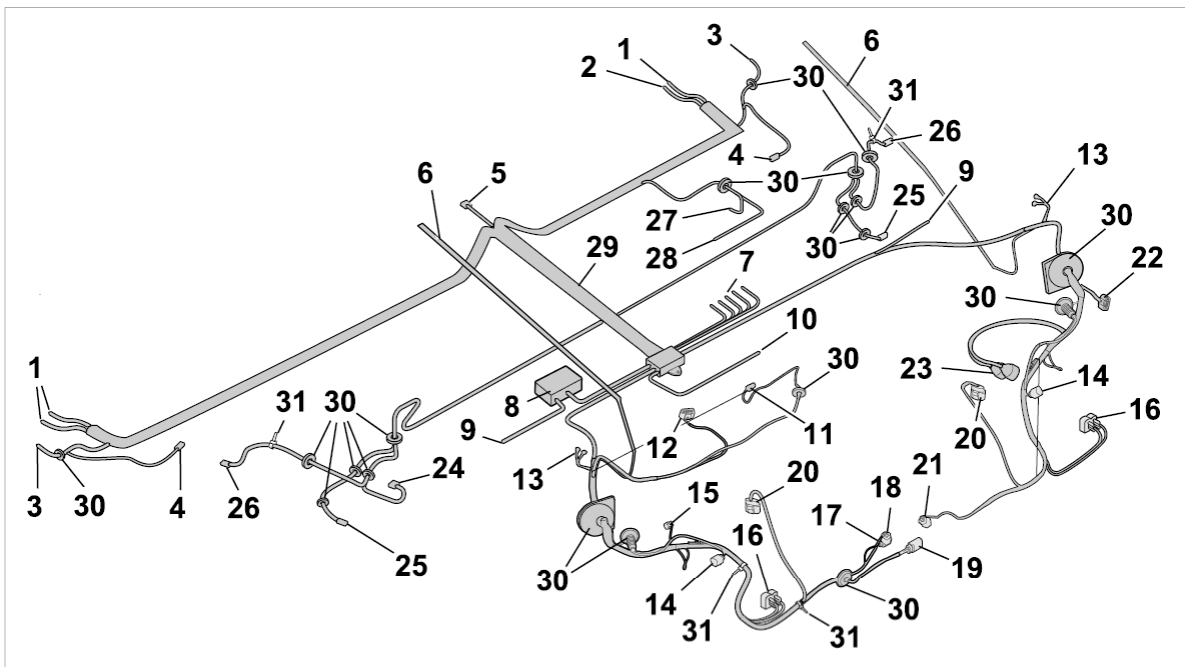
6. Remove mounting saddle for rear-seat backrest.



Removing mounting saddle for rear-seat backrest

- 6.1. Unscrew the two fastening screws -1- and remove mounting saddle for rear-seat backrest -2- .
7. Remove insulating elements in the area of the rear wire harness.

Removing rear wire harness

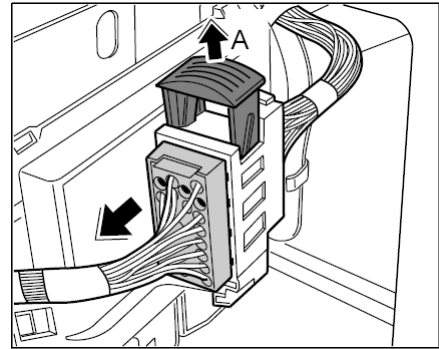


Overview of plugs for rear wire harness

1 - Plug connection for main wire harness to rear wire harness, left and right

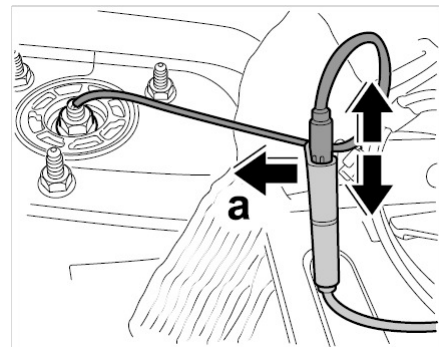
- 2 - Tiptronic control unit connector
- 3 - Connector for seat-belt tensioner, left and right
- 4 - Connector for rear loudspeaker, left and right
- 6 - Plug connection for rear window heating, left and right
- 7 - DME control module connector
- 8 - Rear relay carrier
- 9 - PASM connector, left and right
- 10 - Subwoofer connector
- 11 - Connector for auxiliary brake light
- 12 - Connector for wiper motor for rear window washer
- 13 - Ground point, left and right
- 14 - Connector for rear light, left and right
- 15 - Connector for engine coolant level switch
- 16 - Plug connection for oxygen sensor, left and right
- 17 - Plug connection for rear lock lower part
- 18 - Connector for motor for rear lid release
- 19 - Plug connection for wire harness for number plate light
- 20 - Plug for hot-film mass air flow meter
- 21 - Connector for air cleaner flap
- 22 - Plug connection for rear wire harness to wire harness for rear lid
- 23 - Plug connection for rear wire harness to engine wire harness
- 24 - Plug for angle sensor for HBA, rear left
- 25 - Plug connection for rear wheel sensor, left and right
- 26 - Connector for tyre pressure monitoring system antenna, rear left and right
- 27 - B+ lead for transmission
- 28 - Connector for reversing light switch
- 29 - Cable duct
- 30 - Rubber sleeves
- 31 - Tie-wrap

1. Disconnect plug connection for main wire harness to rear wire harness -1- at left and right.



Releasing plug connection for main wire harness to rear wire harness

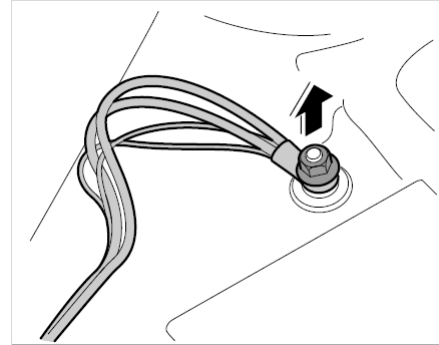
- 1.1. Release and disconnect plug connection for main wire harness to rear wire harness **-1-** (**-arrow A-**).
2. Release and pull off connector on Tiptronic control unit **-2-** . → *373019 Removing and installing transmission control module - section on "Removing"*
3. Pull off connector on seat-belt tensioner **-3-** at left and right. → *691319 Removing and installing front three-point seat belt with tensioner - section on "Removing"*
- 3.1. Release and pull off connector on seat-belt tensioner **-3-** at left and right.
- 3.2. Remove rubber sleeve **-30-** .
4. Release and disconnect plug connection for rear window heating **-6-** at left and right. → *648619 Removing and installing rear window - section on "Removing"*
5. Release and pull off connector on DME control module **-7-** . → *247019 Removing and installing DME control module - section on "Removing"*
6. Disconnect PASM plug connection **-9-** at left and right.



Disconnecting PASM plug connection

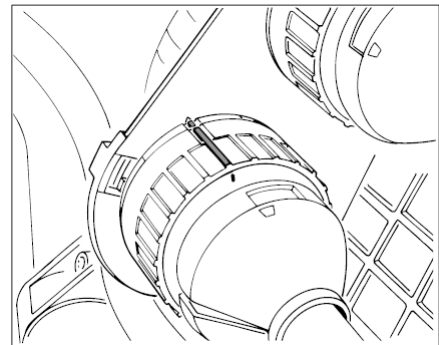
- 6.1. Release and disconnect PASM plug connection **-9-** (**-arrow a-**).
7. Release and pull off connector on subwoofer **-10-** . → *913619 Removing and installing subwoofer - section on "Removing"*

8. Release and pull off connector on wiper motor for rear window washer **-12-** . → *923419 Removing and installing wiper motor for rear window washer - section on "Removing"*
9. Loosen ground point **-13-** at left and right.



Loosening ground point

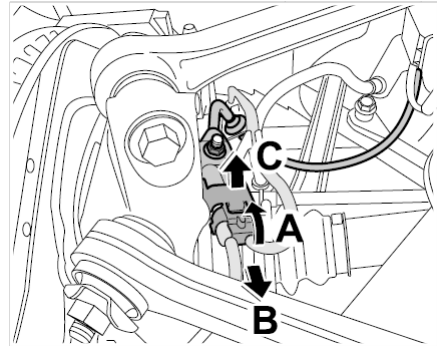
- 9.1. Screw off fastening nut and remove ground straps.
10. Unclip cable duct **-29-** .
11. Unclip tie-wrap **-31-** .
12. Release and disconnect plug connection for oxygen sensor **-16-** at left and right. → *246919 Removing and installing oxygen sensor ahead of catalytic converter - section on "Removing"*
13. Release and disconnect plug connection on rear lock lower part **-17-** . → *558619 Removing and installing rear lock lower part - section on "Removing"*
14. Release and pull off connector on motor for rear lid release **-18-** . → *558419 Removing and installing motor for rear lid release - section on "Removing"*
15. Release and disconnect plug connection for rear wire harness to wire harness for rear lid **-22-** . → *559019 Removing and installing rear lid - section on "Removing"*
16. Disconnect plug connection for rear wire harness to engine wire harness **-23-** . → *100119 Removing and installing engine - section on "Removing"*



Round connectors for engine wire harness

- 16.1. Release rear wire harness at the two plug connections and disconnect it by turning the bayonet locks anti-clockwise.

17. Disconnect plug on angle sensor for HBA at rear left **-24-** . → 947919 *Removing and installing rear angle sensor for headlight levelling system - section on "Removing"*
- 17.1. Release and pull off connector on angle sensor for HBA at rear left **-24-** .
- 17.2. Remove rubber sleeve **-30-** .
18. Disconnect plug connection for rear wheel sensor **-25-** at left and right.

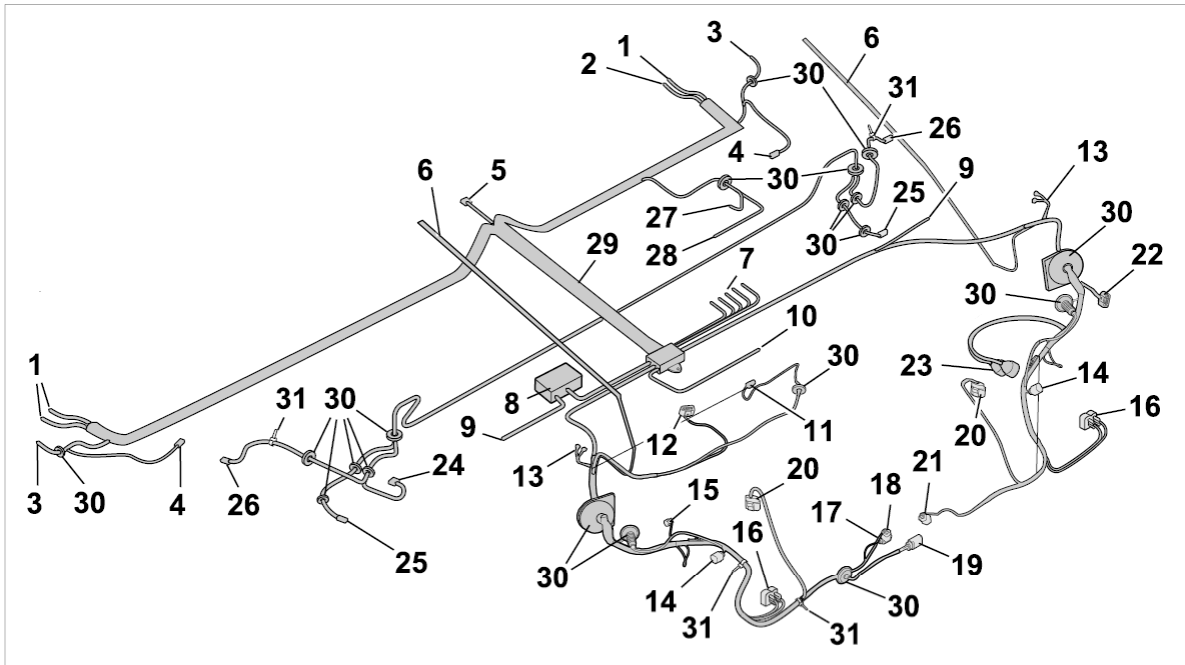


Disconnecting plug connection for rear wheel sensor

- 18.1. Release the cable retainer **-arrow A-** and pull off the two connectors **-arrow B-** .
- 18.2. Unscrew the fastening nut and remove the connector socket **-arrow C-** .
- 18.3. Remove rubber sleeve **-30-** .
19. Pull off connector on rear antenna for tyre pressure monitoring system **-26-** at left and right.
→ 443819 *Removing and installing antenna for tyre pressure monitoring system - section on "Removing"*
- 19.1. Unclip tie-wrap **-31-** .
- 19.2. Release and pull off connector on rear antenna for tyre pressure monitoring system **-26-** at left and right.
- 19.3. Remove rubber sleeve **-30-** .
20. Screw off B+ lead **-27-** on transmission. → 343519 *Removing and installing transmission - section on "Removing"*
21. Release and pull off connector on reversing light switch **-28-** . → 947219 *Removing and installing reversing light switch - section on "Removing"*
22. Pull rear wire harness out of the engine compartment through the opening in the rear wall into the interior of the vehicle and remove it.

Installing rear wire harness

Installing rear wire harness

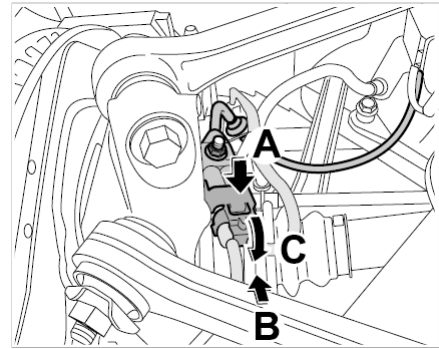


Overview of plugs for rear wire harness

- 1 - Plug connection for main wire harness to rear wire harness, left and right
- 2 - Tiptronic control unit connector
- 3 - Connector for seat-belt tensioner, left and right
- 4 - Connector for rear loudspeaker, left and right
- 6 - Plug connection for rear window heating, left and right
- 7 - DME control module connector
- 8 - Rear relay carrier
- 9 - PASM connector, left and right
- 10 - Subwoofer connector
- 11 - Connector for auxiliary brake light
- 12 - Connector for wiper motor for rear window washer
- 13 - Ground point, left and right
- 14 - Connector for rear light, left and right
- 15 - Connector for engine coolant level switch
- 16 - Plug connection for oxygen sensor, left and right

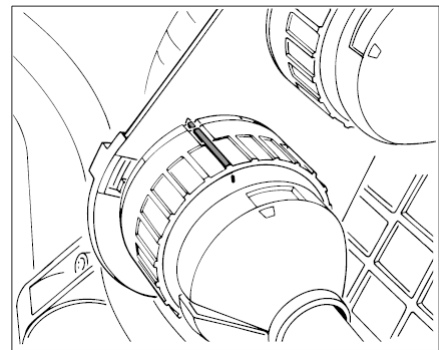
- 17 - Plug connection for rear lock lower part
- 18 - Connector for motor for rear lid release
- 19 - Plug connection for wire harness for number plate light
- 20 - Plug for hot-film mass air flow meter
- 21 - Connector for air cleaner flap
- 22 - Plug connection for rear wire harness to wire harness for rear lid
- 23 - Plug connection for rear wire harness to engine wire harness
- 24 - Plug for angle sensor for HBA, rear left
- 25 - Plug connection for rear wheel sensor, left and right
- 26 - Connector for tyre pressure monitoring system antenna, rear left and right
- 27 - B+ lead for transmission
- 28 - Connector for reversing light switch
- 29 - Cable duct
- 30 - Rubber sleeves
- 31 - Tie-wrap

1. Lay rear wire harness in interior of vehicle and push it into the engine compartment through the opening in the rear wall. Lay rear wire harness in engine compartment.
2. Plug in connector on reversing light switch **-28-** until it engages correctly. → *947219 Removing and installing reversing light switch - section on "Installing"*
3. Screw down B+ lead **-27-** on transmission. → **Tightening torque: 10 Nm (7.5 ftlb.)** → *343519 Removing and installing transmission - section on "Installing"*
4. Plug in connector on rear antenna for tyre pressure monitoring system **-26-** at left and right.
→ *443819 Removing and installing antenna for tyre pressure monitoring system - section on "Installing"*
 - 4.1. Fit rubber sleeve **-30-** .
 - 4.2. Plug in connector on rear antenna for tyre pressure monitoring system **-26-** at left and right until it engages securely.
 - 4.3. Clip tie-wrap **-31-** into place.
5. Connect plug connection for rear wheel sensor **-25-** at left and right.



Connecting plug connection for rear wheel sensor

- 5.1. Fit rubber sleeve **-30-** .
- 5.2. Place socket in installation position **-arrow A-** and screw on the fastening nut. → **Tightening torque: 10 Nm (7.5 ftlb.)**
- 5.3. Plug in the two connectors **-arrow B-** .
- 5.4. Fold back the cable retainer **-arrow C-** until it engages correctly at the connectors.
6. Connect plug on angle sensor for HBA at rear left **-24-** . → *947919 Removing and installing rear angle sensor for headlight levelling system - section on "Installing"*
- 6.1. Fit rubber sleeve **-30-** .
- 6.2. Plug in connector on rear left angle sensor for HBA **-24-** until it engages firmly.
7. Push plug connection for rear wire harness to engine wire harness **-23-** together. → *100119 Removing and installing engine - section on "Installing"*

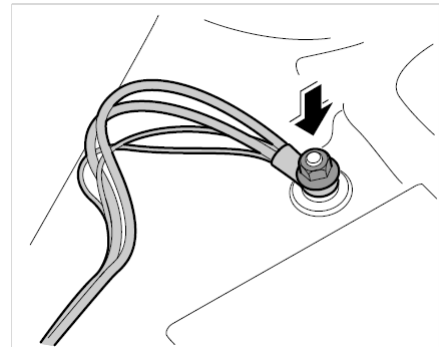


Round connectors for engine wire harness

- 7.1. Connect rear wire harness at the two plug connections and lock it by turning the bayonet locks clockwise.
8. Push plug connection for rear wire harness to wire harness for rear lid together **-22-** until it engages securely. → *559019 Removing and installing rear lid - section on "Installing"*
9. Plug in connector on motor for rear lid release **-18-** until it engages firmly. → *558419 Removing and*

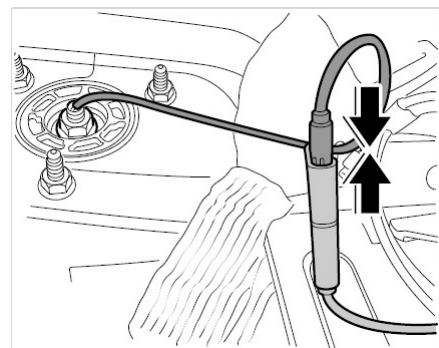
installing motor for rear lid release - section on "Installing"

10. Push plug connection on rear lock lower part **-17-** together until it engages securely. → *558619 Removing and installing rear lock lower part - section on "Installing"*
11. Push in plug connection for oxygen sensor **-16-** at left and right until it engages securely.
→ *246919 Removing and installing oxygen sensor ahead of catalytic converter - section on "Installing"*
12. Clip tie-wrap **-31-** into place.
13. Clip in cable duct **-29-** .
14. Secure ground point **-13-** at left and right.



Securing ground point

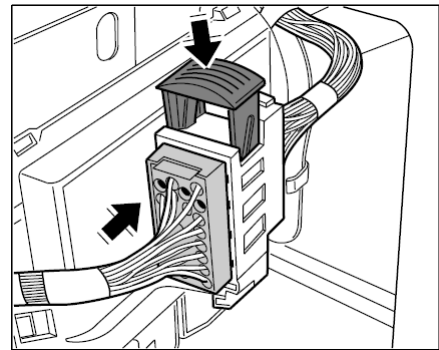
- 14.1. Connect ground straps and screw down fastening nut. → **Tightening torque: 9 Nm (6.5 ftlb.)**
15. Plug in connector on wiper motor for rear window washer **-12-** until it engages correctly.
→ *923419 Removing and installing wiper motor for rear window washer - section on "Installing"*
16. Plug in connector on subwoofer **-10-** until it engages firmly. → *913619 Removing and installing subwoofer - section on "Installing"*
17. Connect PASM plug connection **-9-** at left and right.



Connecting PASM plug connection

- 17.1. Connect PASM plug connection **-9-** until it engages securely.
18. Plug in connector on DME control module **-7-** until it engages securely. → *247019 Removing and installing DME control module - section on "Installing"*

19. Push in plug connection for rear window heating **-6-** at left and right until it engages securely. → *648619 Removing and installing rear window - section on "Installing"*
20. Plug in connector on seat-belt tensioner **-3-** at left and right. → *691319 Removing and installing front three-point seat belt with tensioner - section on "Installing"*
- 20.1. Fit rubber sleeve **-30-** .
- 20.2. Plug in connector on seat-belt tensioner **-3-** at left and right until it engages securely.
21. Attach connector to Tiptronic control unit **-2-** and lock it until it engages firmly. → *373019 Removing and installing transmission control module - section on "Installing"*
22. Push plug connection for main wire harness to rear wire harness **-1-** together at left and right.

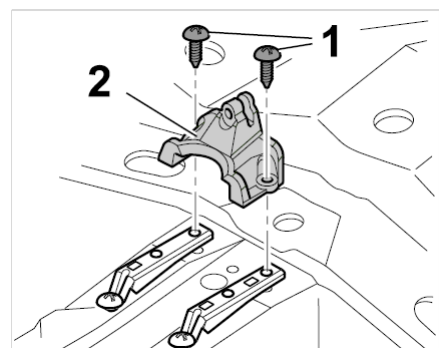


Connecting plug connection for main wire harness to rear wire harness

- 22.1. Push plug connection for main wire harness to rear wire harness **-1-** together and lock it.

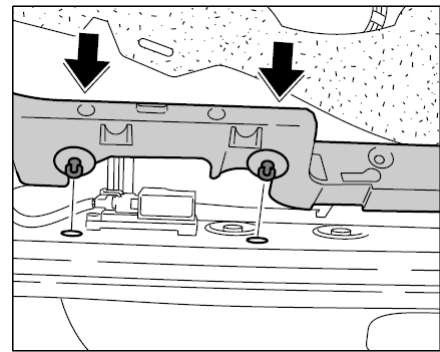
Completing the vehicle

1. Insert insulating elements in the area of the rear wire harness.
2. Install mounting saddle for rear-seat backrest.



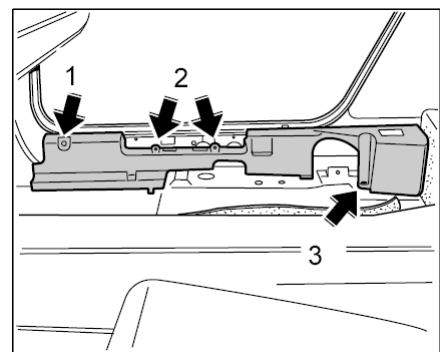
Installing mounting saddle for rear-seat backrest

- 2.1. Position mounting saddle for rear-seat backrest **-2-** and secure with the two fastening screws **-1-** . → **Tightening torque: 10 Nm (7.5 ftlb.)**
3. Install left and right support.



Engaging the support

- 3.1. Position the support and engage in lower side member.
- 3.2. Push in the locating peg -1- of the support and check that it is seated correctly.



Securing the support

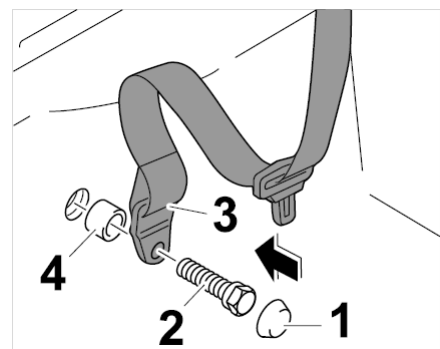
- 3.3. Tighten the fastening nuts -3- and fastening screws -2- . → **Tightening torque: 7.2 Nm (5.5 ftlb.)**
- 4. Lay the floor covering over the support and engage.



Information

Ensure that belt strap can run properly!

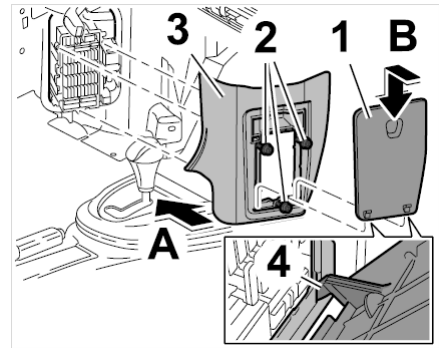
- 5. Secure seat belt mount at left and right.



Installing seat belt and fitting

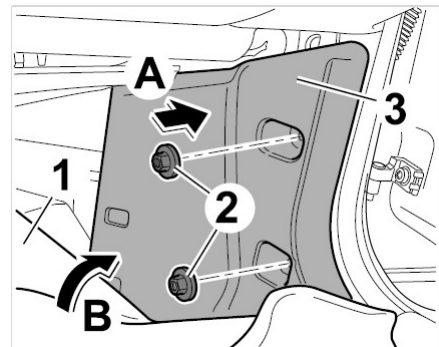
- 5.1. Screw in fastening screw -2- , seat belt and fitting -3- and spacer sleeve -4- on inner lower side member. → **Tightening torque: 50 Nm (37 ftlb.)**

- 5.2. Press in cap -1- .
6. Install left footwell trim panel.



Installing lateral footwell trim on driver's side

- 6.1. Insert footwell trim panel -3- (**-arrow A-**) and screw in the three fastening screws -2- . → **Tightening torque: 3 Nm (2 ftlb.)**
- 6.2. Insert the fuse carrier cover -1- with both clips -4- into the lateral footwell trim panel -2- and clip in **-arrow B-** .
7. Install right footwell trim panel.



Installing lateral footwell trim on passenger's side

- 7.1. Position footwell trim panel -3- (**-arrow A-**) and screw down with both plastic nuts -2- .
- 7.2. Secure floor covering -1- at the bottom in the area of the A-pillar **-arrow B-** . **Use double-sided adhesive tape or suitable adhesive.**

Subsequent work

Subsequent work



Information

Only for vehicles with tyre pressure monitoring

1. Install rear wheel housing liner. → *536919 Removing and installing rear wheel housing liner - section on "Installing"*
2. Install rear underbody cover. → *519419 Removing and installing rear cover - section on "Installing"*
3. Install reservoir. → *194019 Removing and installing reservoir - section on "Installing"*
4. Install air cleaner housing. → *242519 Removing and installing air cleaner housing - section on "Installing"*
5. Install rear spoiler. → *635519 Removing and installing rear spoiler - section on "Installing"*
6. Install rear light at left and right. → *943119 Removing and installing rear light - section on "Installing"*
7. Install additional brake light. → *947019 Removing and installing additional brake light - section on "Installing"*

**Information**

Only in the cabriolet.

8. Install roll-over bar. → *697219 Removing and installing roll-over bar - section on "Installing"*

**Information**

Only in the cabriolet.

9. Install frame for roll-over protection system. → *697719 Removing and installing frame for roll-over protection system - section on "Installing"*
10. Install relay carrier. → *979019 Removing and installing relay carrier - section on "Installing"*
11. Install trim panel for seat well. → *702919 Removing and installing trim panel for seat well - section on "Installing"*
12. Install trim panel for rear wall → *703119 Removing and installing trim panel for rear wall - section on "Installing"*

**Information**

Only in the coupé.

13. Install C-pillar trim panel. → *706819 Removing and installing C-pillar trim panel - section on "Installing"*
14. Install rear side trim panel at left and right. → *707519 Removing and installing rear side trim panel - section on "Installing"*
15. Install left and right scuff plate. → *680519 Removing and installing inner door sill trim - section on "Installing"*

16. Install front seat at left and right. → *720119 Removing and installing front seat - section on "Installing"*
 17. Carry out work instructions after disconnecting the battery. → *271000 Work instructions after disconnecting the battery*
-

997110, 997111, 997120, 997121, 997310, 997311, 997320, 997321, 997410, 997411, 997420, 997421, 997430, 997431, 997510, 997511, 997520, 997521, 997610, 997611, 997620, 997621, 997630, 997631, 997810, 997811, 997830, 997840, 997841, 997850, 997851, 997140, 997141, 997450, 997451, 997650, 997651, 997720, 997721, 997820, 997860, 997861

Model year as of 2005

C00, C02, C05, C07, C08, C09, C10, C11, C12, C13, C14, C15, C16, C18, C19, C20, C21, C22, C23, C24, C25, C26, C27, C28, C32, C33, C34, C35, C36, C37, C38, C39, C45, C46, C98, C99