

The present document was valid at the time of print. A later version may be available online

WM 973219 Removing and installing wiring harness for door

Technical values

Location	Description	Type	Basic value	Tolerance 1	Tolerance 2
Fastening screw for securing the lateral footwell trim panel (driver's side) to body	Item -2-	Tightening torque	3 Nm (2 ftlb.)		

Preliminary work

Preliminary work for wire harness for door

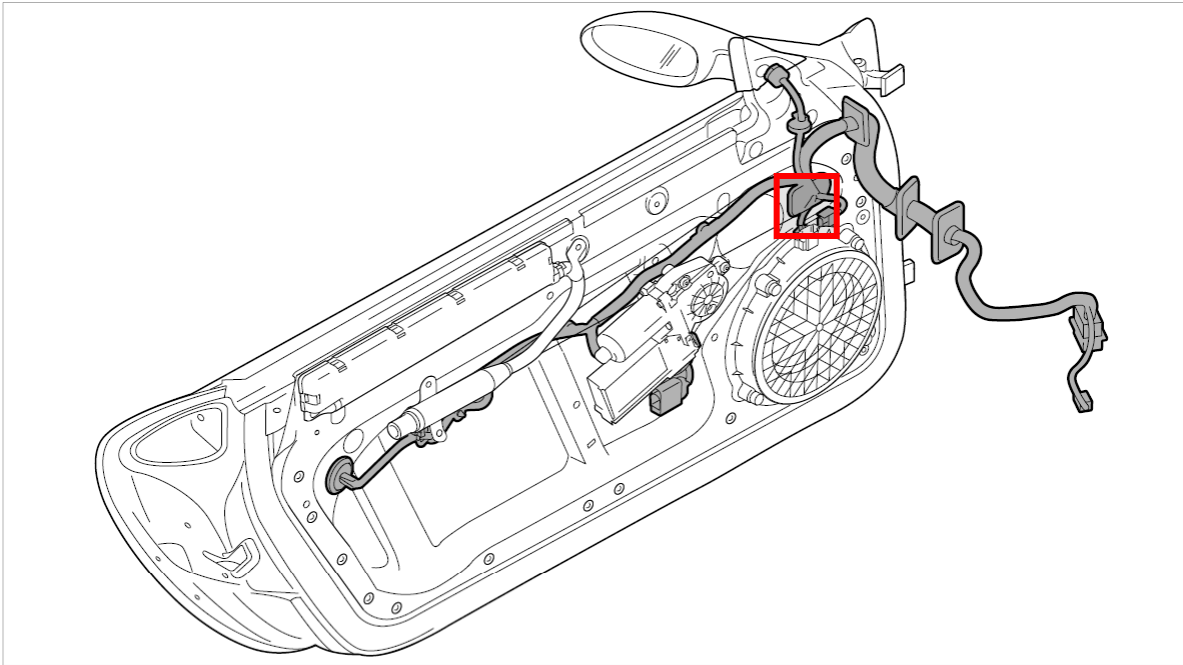
1. Disconnect battery. → *271000 Work instructions after disconnecting the battery*
2. Remove door trim panel. → *705919 Removing and installing door trim panel - section on "Removing"*
3. Remove power window motor. → *645419 Removing and installing power window motor - section on "Removing"*
4. Remove head airbag. → *696619 Removing and installing head airbag - section on "Removing"*

Preliminary work for wire harness for door trim panel

1. Disconnect battery. → *271000 Work instructions after disconnecting the battery*
2. Remove door trim panel. → *705919 Removing and installing door trim panel - section on "Removing"*

Removing wiring harness for door

Removing side footwell trim on driver's side



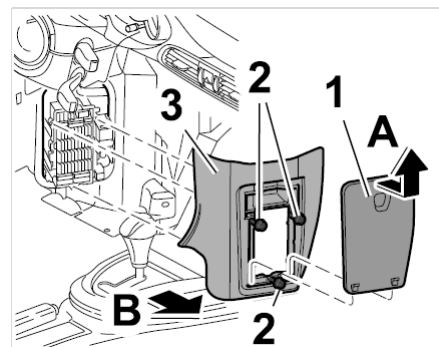
Overview of wire harness for door



Information

Work is only necessary for removing or installing the wire harness for the driver's door.

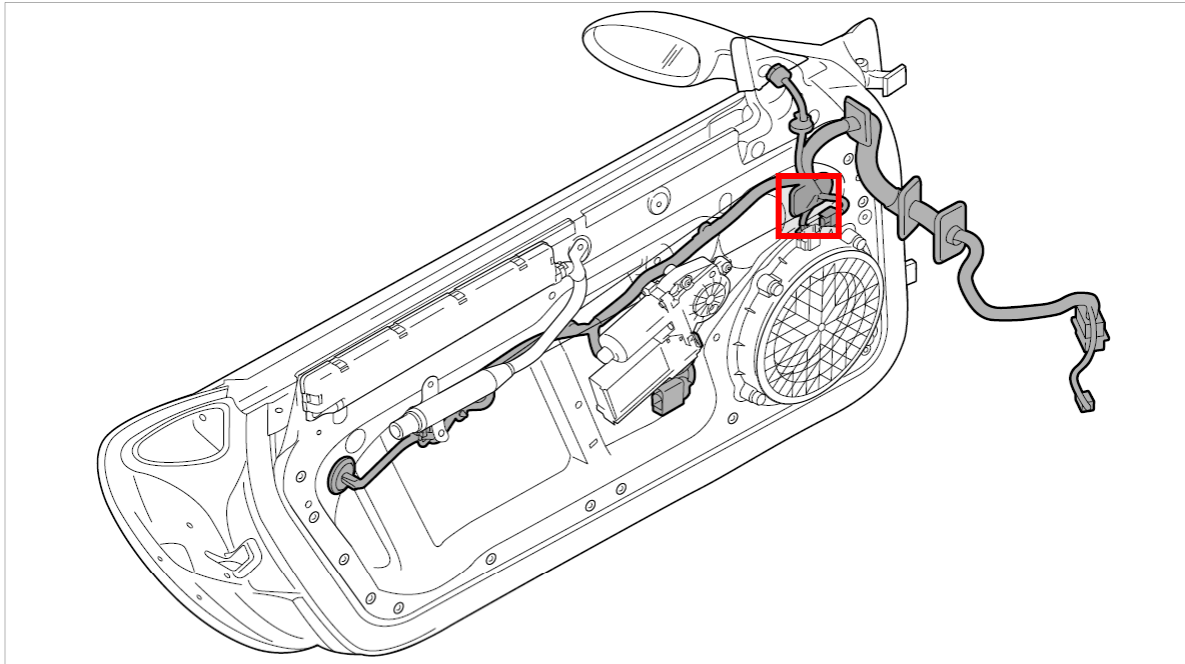
1. Remove fuse carrier cover **-1-** (**-arrow A-**).



Removing side footwell trim on driver's side

2. Unscrew the three fastening screws **-2-** and take off the footwell trim panel **-3-** (**-arrow B-**).

Removing side footwell trim on passenger's side



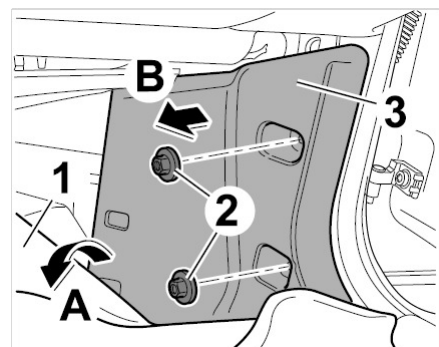
Overview of wire harness for door



Information

Work is only necessary for removing or installing the wire harness for the passenger's door.

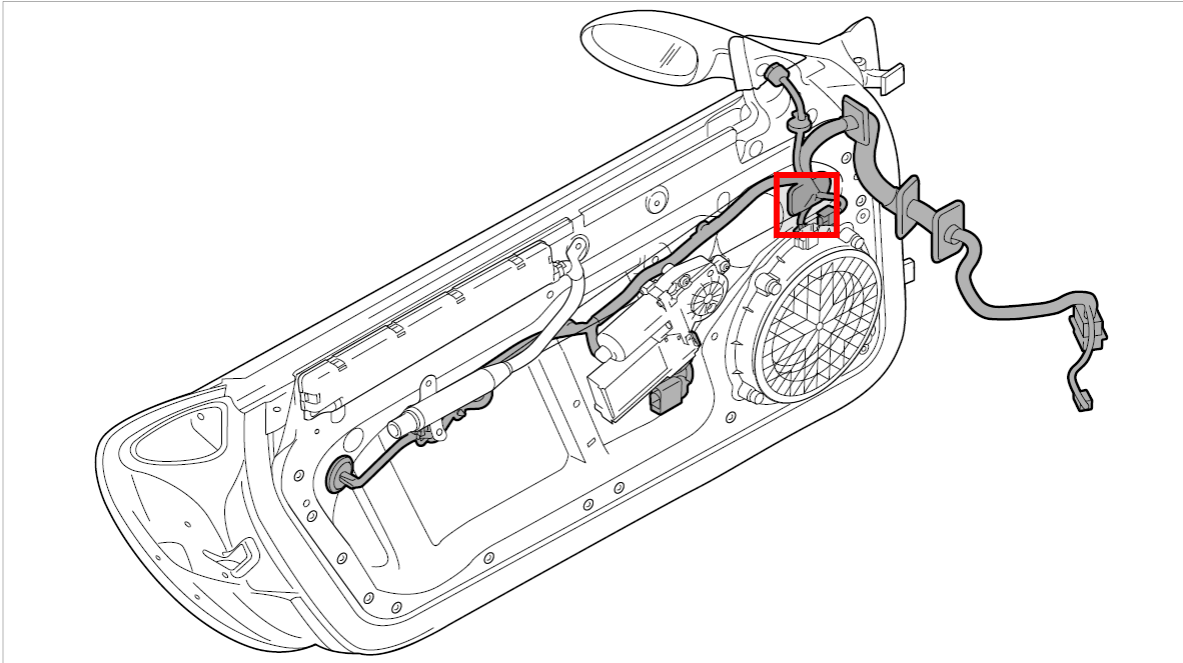
1. Partly loosen carpet **-1-** at the bottom in the area of the A-pillar **-arrow A-** .



Removing side footwell trim on passenger's side

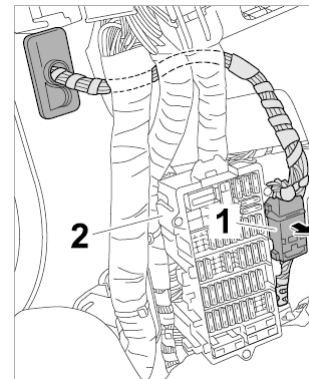
2. Unscrew both plastic nuts **-2-** and take off the footwell trim panel **-3-** (**-arrow B-**).

Disconnect wire harness for door (driver's side) at the A-pillar



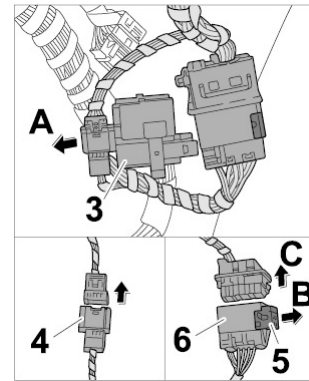
Overview of wire harness for door

1. Unclip wire harness plug connection for door **-1-** at the fuse carrier **-2-** .



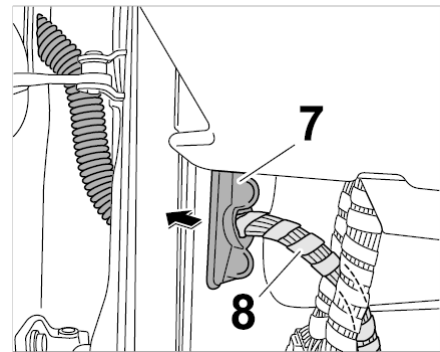
Unclipping plug connection

2. Release locking mechanism **-5-** on the wire harness plug connection for door **-6-** (**-arrow B-**) and disconnect it **-arrow C-** .



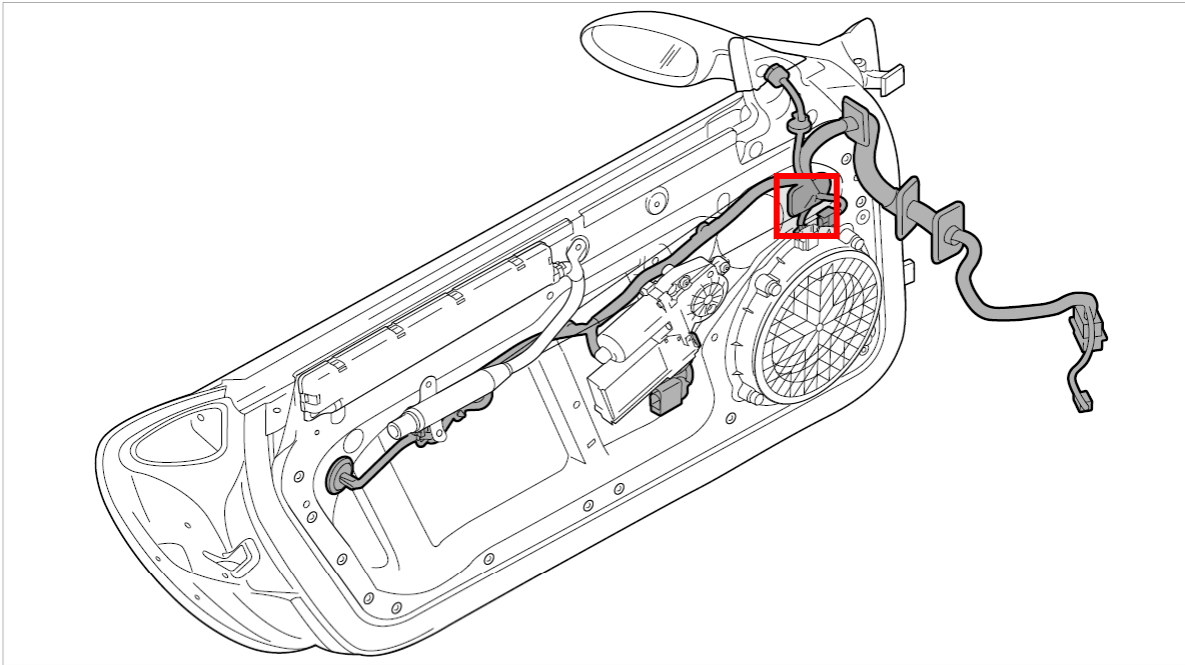
Disconnecting plug connection

3. Remove rubber sleeve -7- and pull out together with the wire harness for door -8- from the A-pillar.



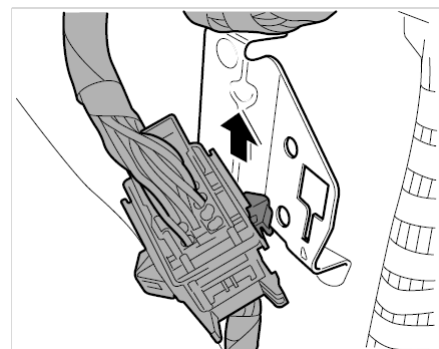
Removing rubber sleeve

Disconnect wire harness for door (passenger's side) at the A-pillar



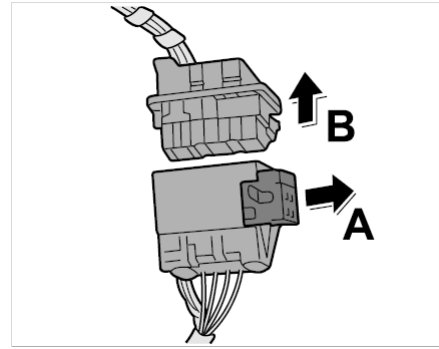
Overview of wire harness for door

1. Disengage wire harness plug connection for door to the body.



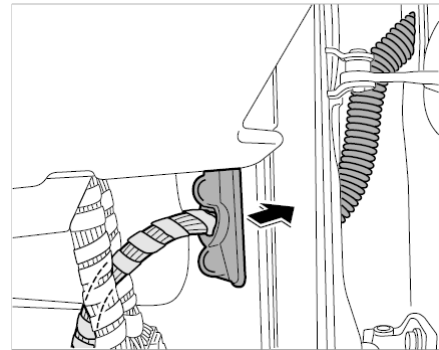
Disengaging wire harness plug connection for door to the body

2. Release locking mechanism on the wire harness plug connection for door **-arrow A-** and disconnect wire harness plug connection for door **-arrow B-** .



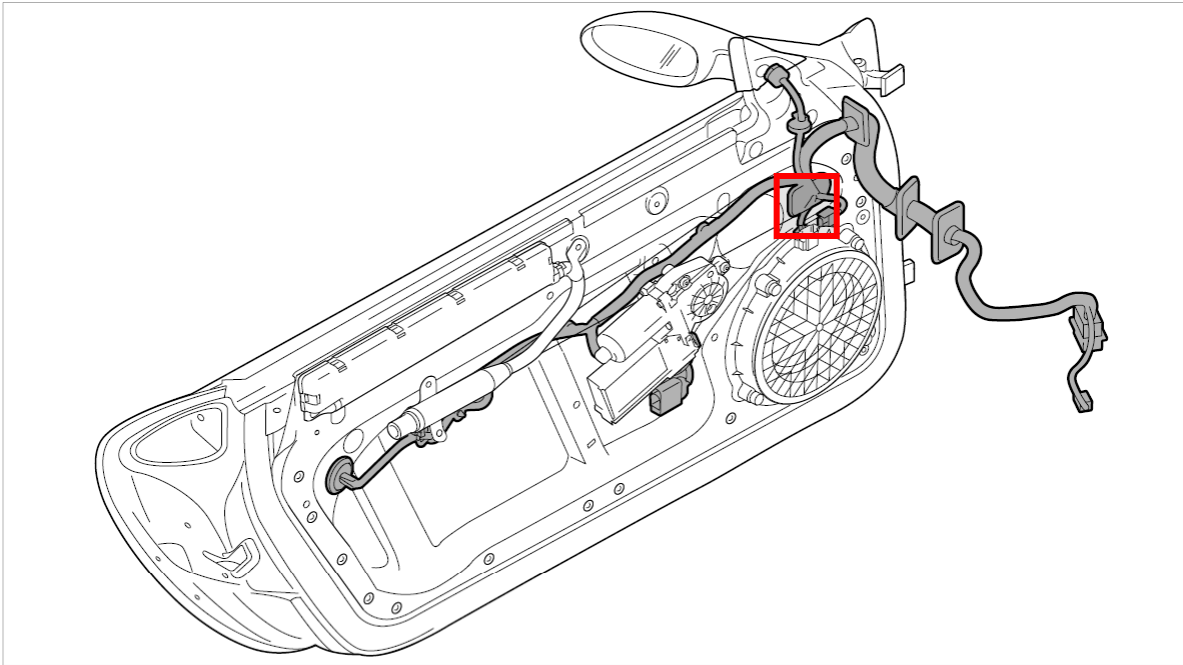
Disconnecting wire harness plug connection for door

3. Remove rubber sleeve and pull out together with the wire harness for door from the A-pillar.



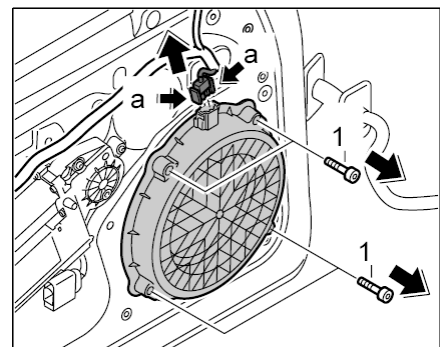
Removing rubber sleeve

Removing wire harness for door



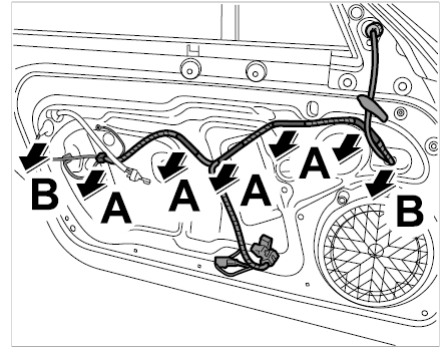
Overview of wire harness for door

1. Remove door sub-frame. → 573019 Removing and installing door sub-frame - section on "Removing"
2. Release connector on bass loudspeaker **-arrows a-** and pull off.



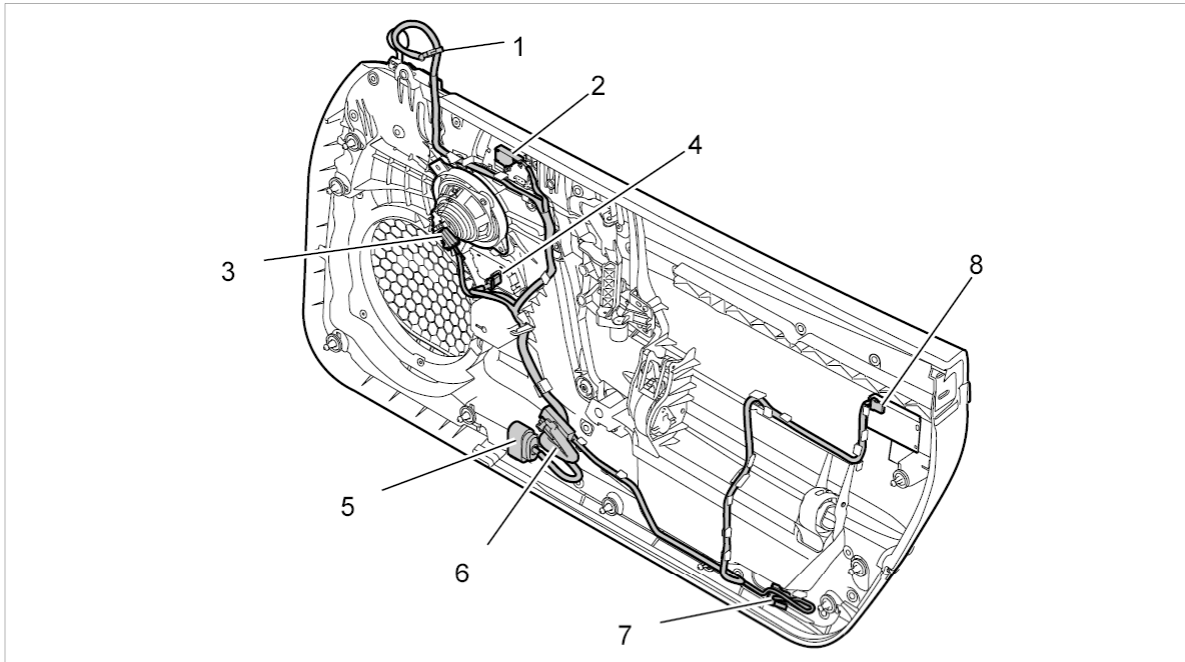
Bass loudspeaker

3. Unclip wire harness for door at the five retaining clips **-arrows A-**. Remove both rubber sleeves **-arrow B-** and take off wire harness for door.



Removing wire harness for door

Removing wire harness for door trim panel



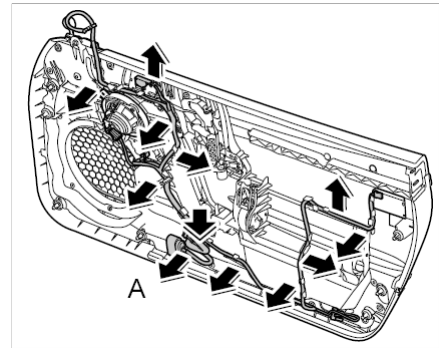
Overview of wire harness for door trim panel

- 1 - Mirror adjustment switch connector
- 2 - Switch connector for power windows
- 3 - Midrange loudspeaker connector
- 4 - Switch connector for memory seat adjustment
- 5 - Plug connection for wire harness for door trim panel to door wire harness

6 - Door control unit connector

7 - Door warning light connector

1. Release connector on switch for power windows **-2-** and remove it. → *645819 Removing and installing switch for power windows - section on "Removing"*
2. Release and pull off connector on midrange loudspeaker **-3-** . → *914119 Removing and installing loudspeakers for front doors - section on "Removing"*
3. Release connector on switch for memory seat adjustment **-4-** and remove it. → *729419 Removing and installing switch for memory seat adjustment - section on "Removing"*
4. Pull off connector on door warning light **-7-** . → *961619 Removing and installing door warning light - section on "Removing"*
5. Unclip connector on plug connection for wire harness for door trim panel to door wire harness at the door trim panel **-arrow A-** .



Removing wire harness for door trim panel

6. Remove wire harness from the clips on the door trim panel in **-direction of arrow-** .

Installing wiring harness for door

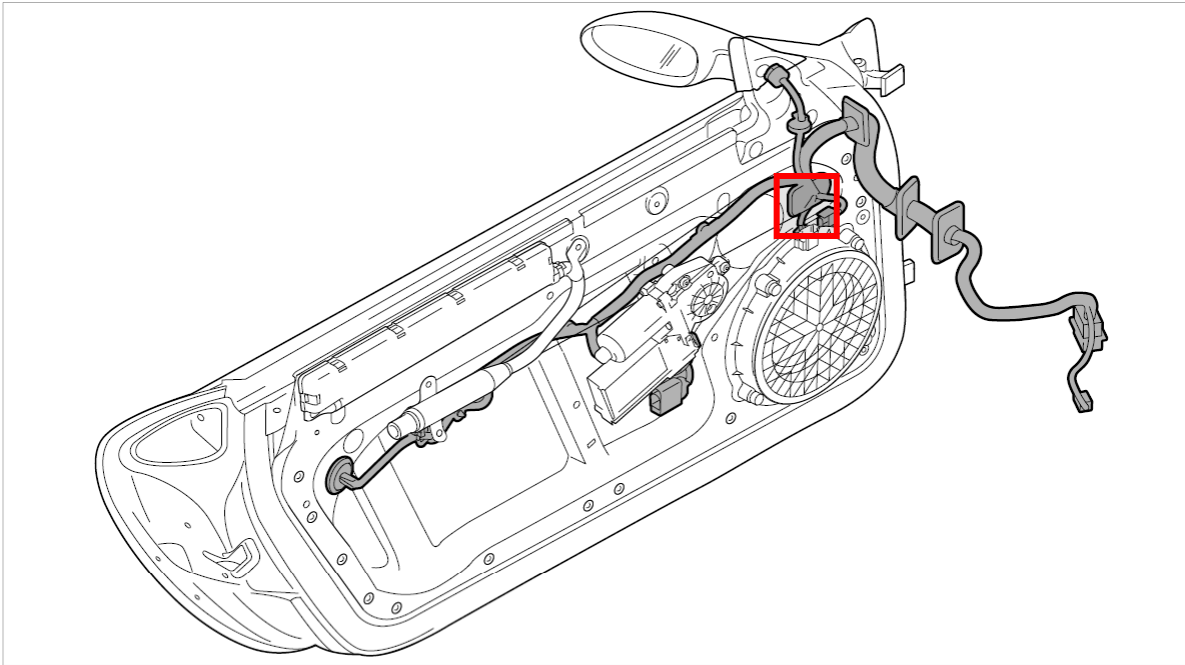
Installing wire harness for door



Information

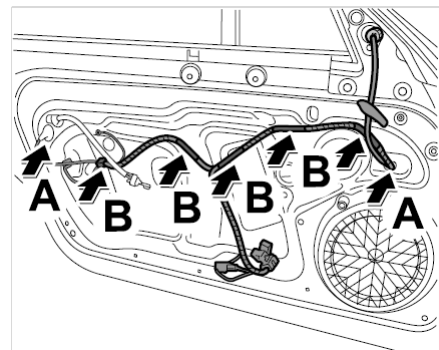
The wire harness for door spare parts scope means the scope for fully-equipped vehicles. Depending on the vehicle equipment, connectors not required are tied to the wire harness for door using tie-wraps.

When doing this, ensure the lines are routed correctly so that no line becomes trapped or damaged.



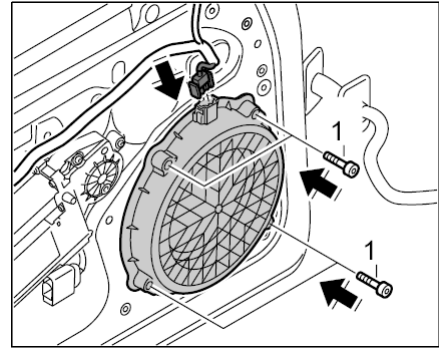
Overview of wire harness for door

1. Route wire harness for door. Fit both rubber sleeves -**arrows A**- and clip in the wire harness for door using the five retaining clips -**arrows B**- .



Installing wire harness for door

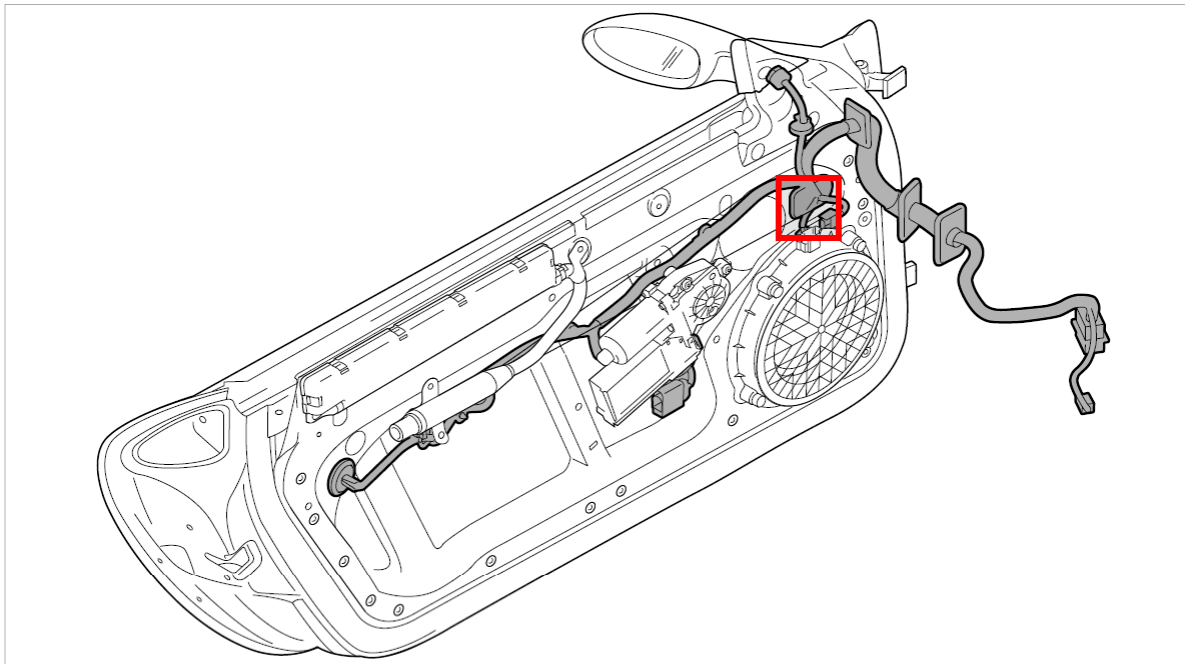
2. Connect connector on bass loudspeaker until the connector engages securely.



Bass loudspeaker

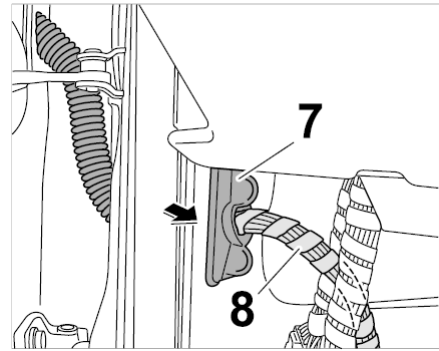
3. Install door sub-frame. → 573019 *Removing and installing door sub-frame - section on "Installing"*

Locking wire harness for door (driver's side) at the A-pillar



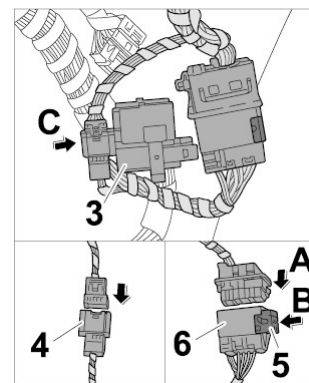
Overview of wire harness for door

1. Push wire harness for door **-8-** through the A-pillar and fit rubber sleeve **-8-** .



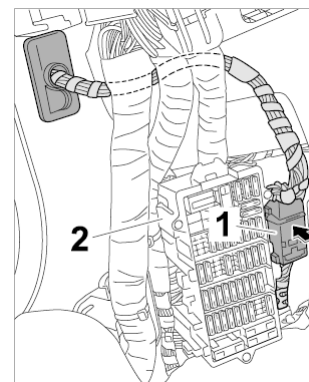
Installing rubber sleeve

2. Push together wire harness plug connection for door -6- (**-arrow A-**) and lock it **-arrow B-**



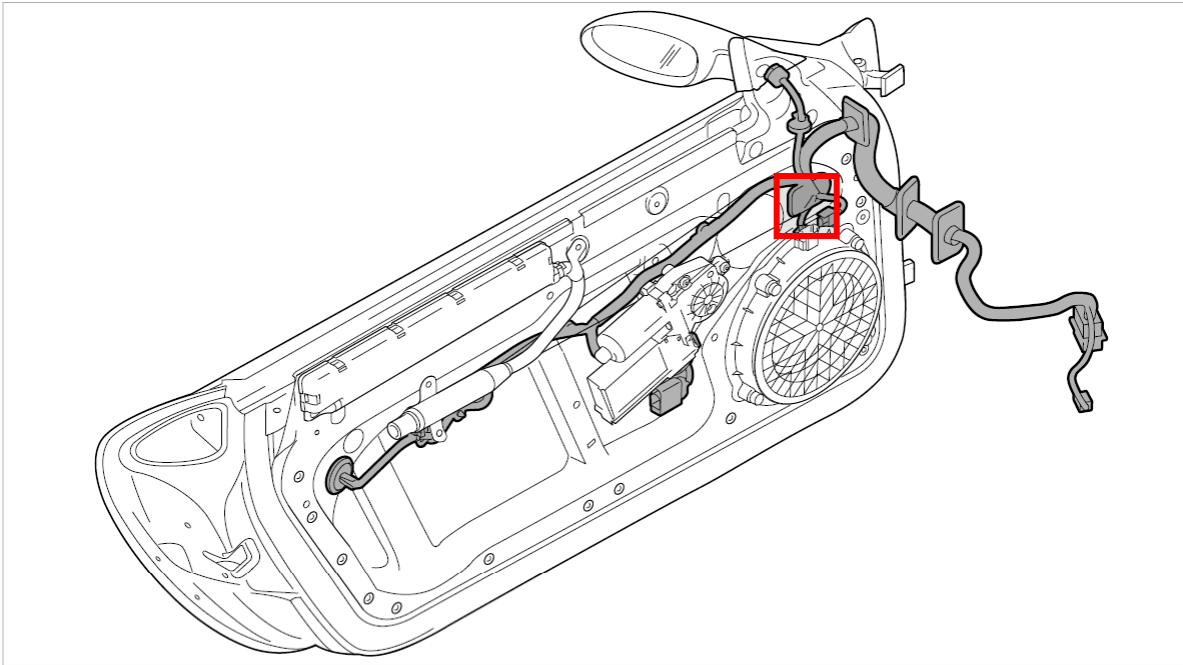
Connecting plug connection

3. Unclip wire harness plug connection for door -1- at the fuse carrier -2- .



Clipping in the plug connection

Locking wire harness for door (passenger's side) at the A-pillar



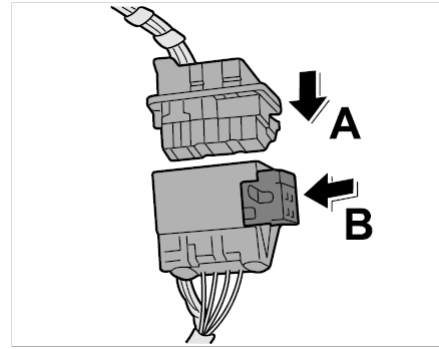
Overview of wire harness for door

1. Push wire harness for door through the A-pillar and fit rubber sleeve.



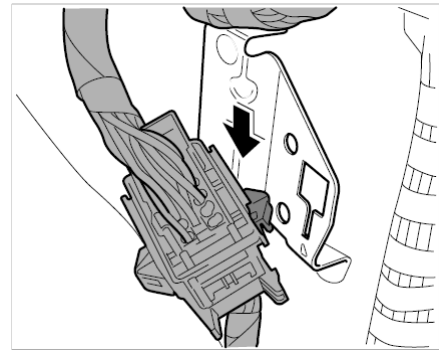
Fitting rubber sleeve

2. Push together wire harness plug connection for door **-arrow A-** and lock it **-arrow B-**.



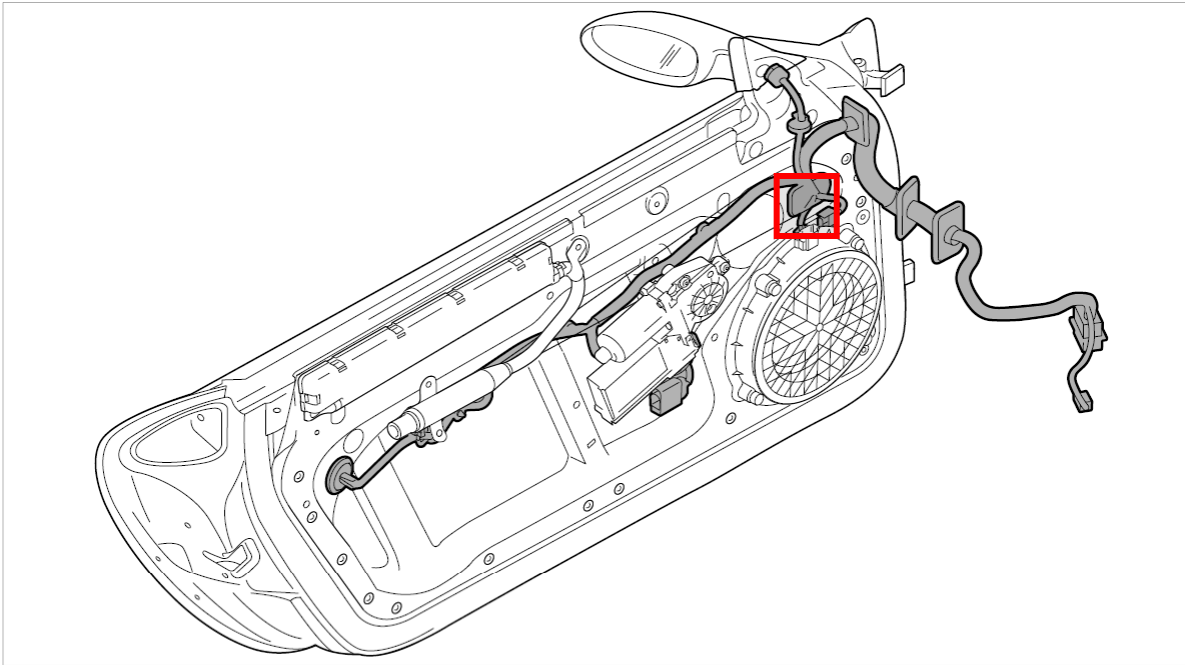
Connecting wire harness plug connection for door

3. Engage wire harness plug connection for door on the body.



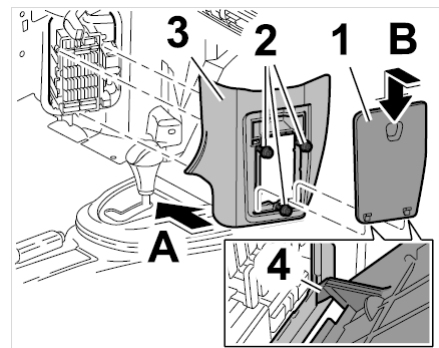
Engaging wire harness plug connection for door on the body

Installing side footwell trim on driver's side



Overview of wire harness for door

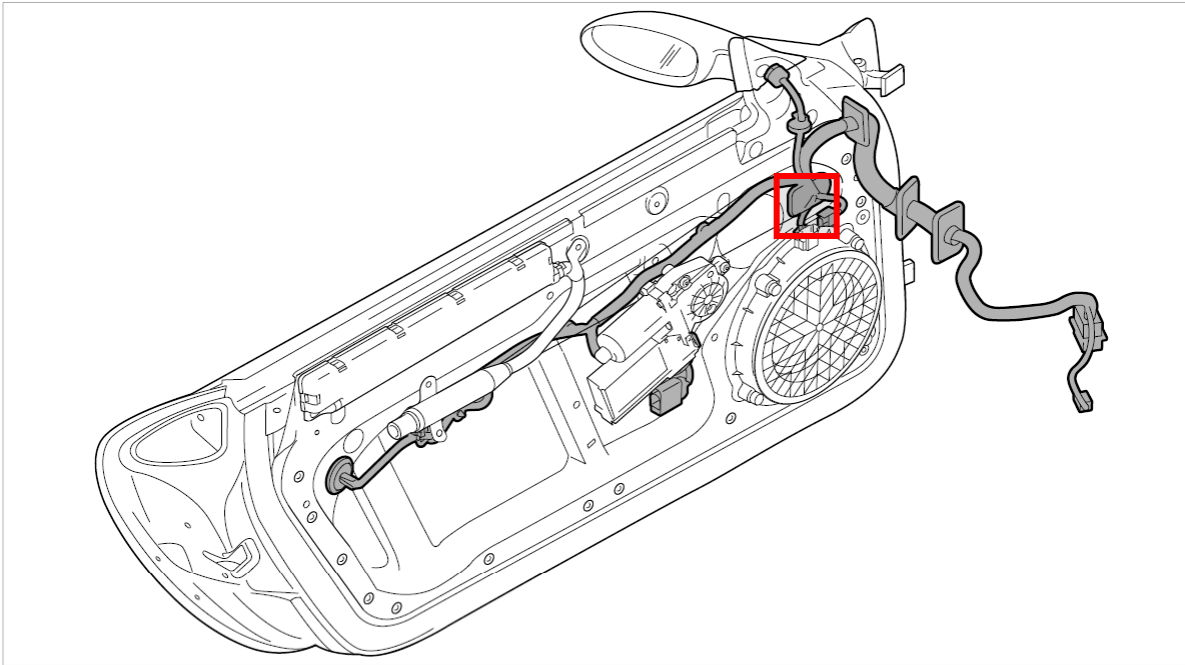
1. Insert footwell trim panel **-3-** (**-arrow A-**) and screw down with the three fastening screws **-2-** . → **Tightening torque: 3 Nm (2 ftlb.)**



Installing side footwell trim on driver's side

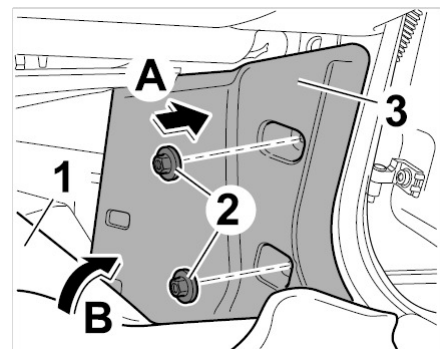
2. Insert the fuse carrier cover **-1-** with both clips **-4-** into the lateral footwell trim panel **-2-** and clip in **-arrow B-** .

Installing side footwell trim on passenger's side



Overview of wire harness for door

1. Position footwell trim panel **-3-** (**-arrow A-**) and screw down with both plastic nuts **-2-** .



Installing side footwell trim on passenger's side

2. Fasten carpet **-1-** at the bottom in the area of the A-pillar **-arrow B-** using **double-sided adhesive tape or suitable adhesive.**

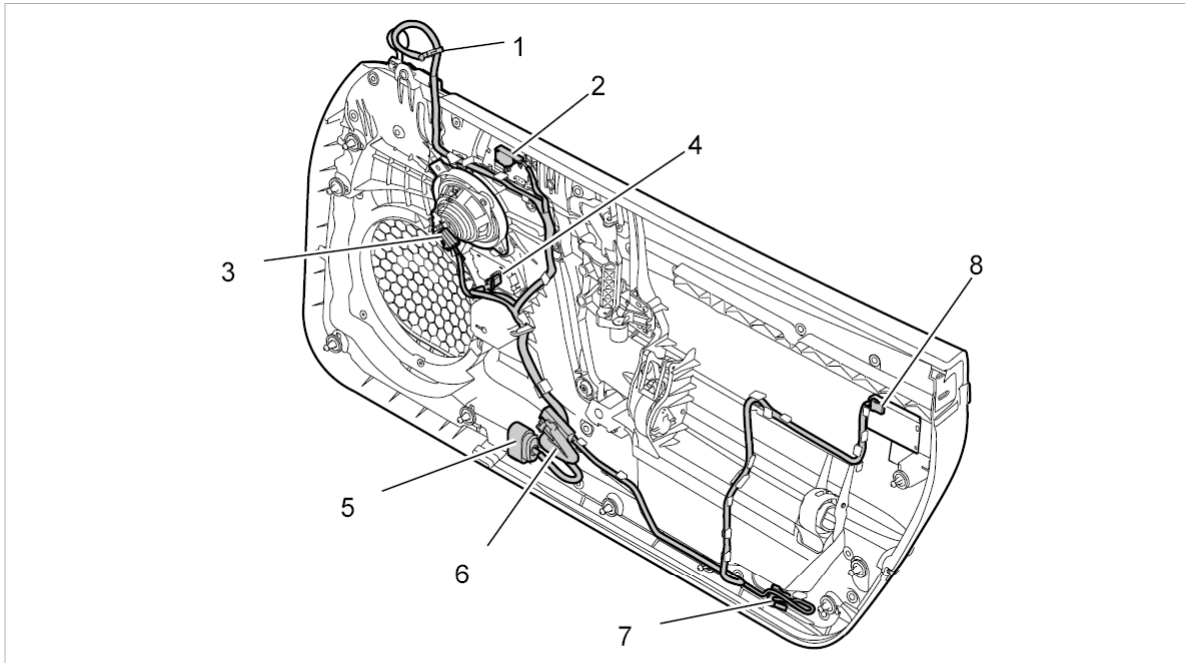
Installing wire harness for door trim panel



Information

The wire harness for door trim panel spare parts scope means the scope for fully-equipped vehicles. Depending on the vehicle equipment, connectors not required are tied to the wire harness for door trim panel using tie-wraps.

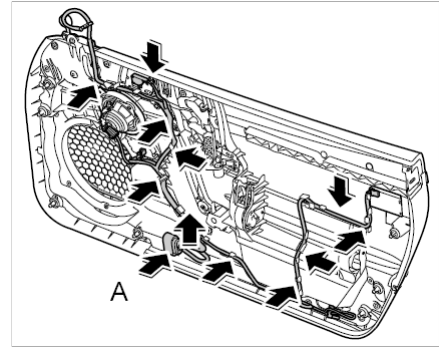
When doing this, ensure the lines are routed correctly so that no line becomes trapped or damaged.



Overview of wire harness for door trim panel

- 1 - Mirror adjustment switch connector
- 2 - Switch connector for power windows
- 3 - Midrange loudspeaker connector
- 4 - Switch connector for memory seat adjustment
- 5 - Plug connection for wire harness for door trim panel to door wire harness
- 6 - Door control unit connector
- 7 - Door warning light connector

1. Insert wire harness into the clips on the door trim panel in **-direction of arrow-** .



Installing wire harness for door trim panel

2. Clip connector on plug connection for wire harness for door trim panel to door wire harness into the door trim panel -**arrow A**- .
3. Push connector onto the door warning light -**7**- . → *961619 Removing and installing door warning light - section on "Installing"*
4. Plug in connector on switch for memory seat adjustment -**4**- until it engages securely. → *729419 Removing and installing switch for memory seat adjustment - section on "Installing"*
5. Plug in connector on midrange loudspeaker -**3**- until it engages securely. → *914119 Removing and installing loudspeakers for front doors - section on "Installing"*
6. Plug in connector on switch for power windows -**2**- until it engages securely. → *645819 Removing and installing switch for power windows - section on "Installing"*

Subsequent work

Subsequent work for wire harness for door

1. Install head airbag. → *696619 Removing and installing head airbag - section on "Installing"*
2. Install power window motor. → *645419 Removing and installing power window motor - section on "Installing"*
3. Install door trim panel. → *705919 Removing and installing door trim panel - section on "Installing"*
4. Connect the battery and carry out "Work instructions after disconnecting the battery". → *271000 Work instructions after disconnecting the battery*

Subsequent work for wire harness for door trim panel

1. Install door trim panel. → *705919 Removing and installing door trim panel - section on "Installing"*
2. Connect the battery and carry out "Work instructions after disconnecting the battery". → *271000 Work instructions after disconnecting the battery*

997110, 997111, 997120, 997121, 997310, 997311, 997320, 997321, 997410, 997411, 997420, 997421, 997430, 997431, 997510, 997511, 997520, 997521, 997610, 997611, 997620, 997621, 997630, 997631, 997810, 997811, 997830, 997840, 997841, 997850, 997851, 997140, 997141, 997450, 997451, 997650, 997651, 997720, 997721, 997820, 997860, 997861, 997150, 997151, 997160, 997161, 997170, 997350, 997351, 997360, 997361, 997370, 997460, 997461, 997560, 997561, 997660, 997661

Model year as of 2005

C00, C02, C05, C07, C08, C09, C10, C11, C12, C13, C14, C15, C16, C18, C19, C20, C21, C22, C23, C24, C25, C26, C27, C28, C32, C33, C34, C35, C36, C37, C38, C39, C45, C46, C98, C99