

The present document was valid at the time of print. A later version may be available online

WM 974549 Eliminating noise symptoms - Reworking wire harness for battery wiring (clicking noise from fuel injectors)

Technical values

Location	Description	Type	Basic value	Tolerance 1	Tolerance 2
Fastening screw securing ground strap to engine		Tightening torque	23 Nm (17 ftlb.)		

General information

Symptom

Clicking noises (fuel injectors) when the engine is warm and cold.

Causes and remedial action

The ground strap is touching the valve cover and transmits the fuel injector noises to the passenger compartment when the engine is warm and cold.

In the event of a complaint, the ground strap must be fitted in the bracket for the valve cover on vehicles manufactured **before** the date of introduction **February 2008**.

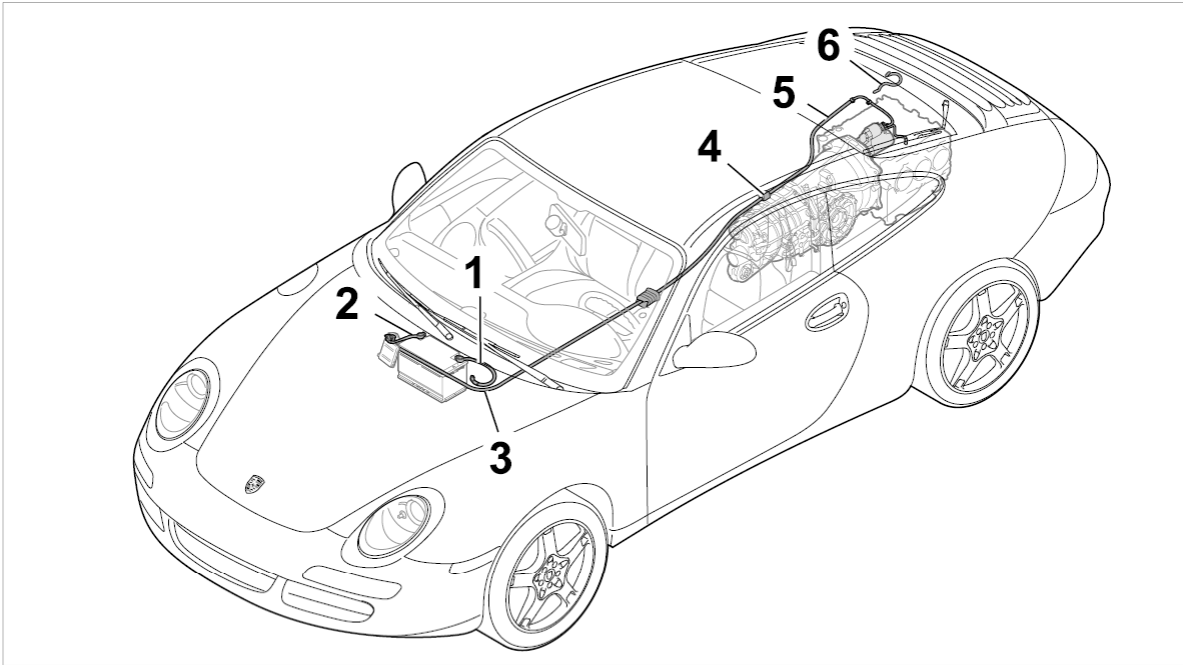
Preliminary work

Preliminary work for engine ground strap

1. Lift the vehicle. → *401000 Raising the vehicle*

Reworking wire harness for battery wiring

Reworking ground strap on engine



Installation position of wire harness for battery wiring

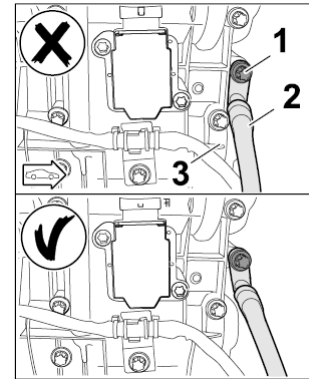
⚠ Caution

Hot components

- Risk of burns

- Let hot components cool down.
- Wear personal protective gear.

1. Loosen fastening screw **-1-** slightly. Fit ground strap **-2-** in the bracket so that there is no contact with the valve cover **-3-**.



Securing ground strap

2. Tighten fastening screw -1- . → **Tightening torque: 23 Nm (17 ftlb.)**

Subsequent work

Subsequent work for engine ground strap

1. Lower the vehicle.

Working time

97454900: Reworking wire harness for battery ; Labor time **30 ZE**

997110, 997111, 997120, 997121, 997140, 997141, 997310, 997311, 997320, 997321, 997410, 997411, 997420, 997421, 997430, 997431, 997510, 997511, 997520, 997521, 997610, 997611, 997620, 997621, 997630, 997631, 997810, 997811, 997820, 997830, 997840, 997841, 997850, 997851

Model year as of 2007, Model year up to 2008

C00, C02, C05, C07, C08, C09, C10, C11, C12, C13, C14, C15, C16, C18, C19, C20, C21, C22, C23, C24, C25, C26, C27, C28, C32, C33, C34, C35, C36, C37, C38, C39, C45, C46, C98, C99