

The present document was valid at the time of print. A later version may be available online

WM 975619 Removing and installing wire harness for backrest (front seat)

Preliminary work

Preliminary work

1. Remove cushion carrier for front backrest. → *722419 Removing and installing cushion carrier for front backrest - section on "Removing"*
2. Remove cover for backrest. → *722619 Removing and installing cover for backrest - section on "Removing"*



Information

Only for vehicles with adaptive sports seats.

3. Remove air cushion for backrest. → *721719 Removing and installing air cushion for backrest - section on "Removing"*

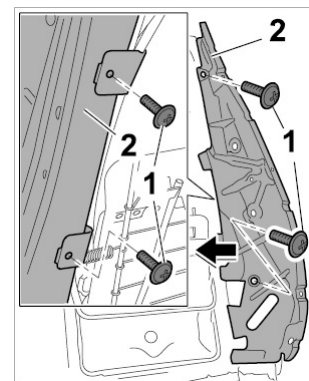
Removing wire harness for backrest (front seat)

Removing support for left backrest side part



Installation position of motor for lumbar support

1. Unscrew the four fastening screws -1- and remove support for backrest side part -2- .



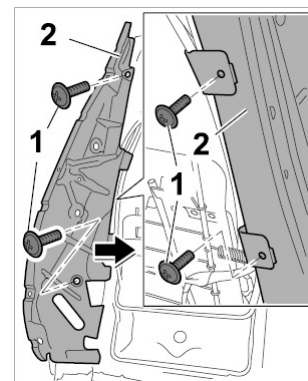
Removing support for left backrest side part

Removing backrest side support



Installation position of motor for backrest adjustment

1. Unscrew the four fastening screws -1- and remove backrest side support -2- .



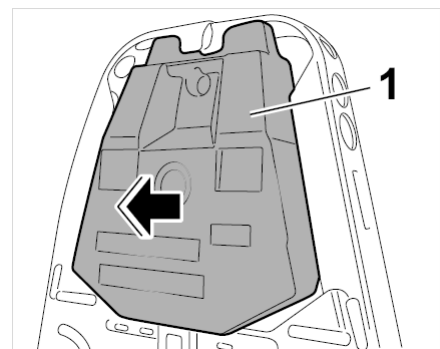
Removing backrest side support

Taking off foam part



Installation position of control valve for lumbar support adjustment

1. Remove foam part **-1-** at the headrest.



Taking off foam part

Removing wire harness for backrest (front seat)



Information

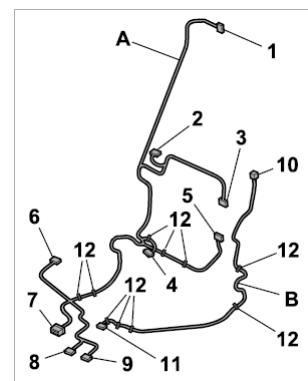
The description covers a wire harness for maximum equipment. Some plug connections will not be present if the vehicle has less equipment.



Installation position of wire harness for backrest (front seat)

Overview of plugs for wire harness for backrest

- A** - Wire harness for backrest (front seat)
- B** - Wire harness for airbag
- 1** - Connector for control valve for lumbar support adjustment (only for lumbar support)
- 2** - Connector for sensor for lower air cushion on lumbar support (only for lumbar support with memory)
- 3** - Connector for sensor for upper air cushion on lumbar support (only for lumbar support with memory)
- 4** - Connector for motor for backrest adjustment
- 5** - Plug connection for motor for lumbar support adjustment (only for lumbar support)
- 6** - Plug connection for air cushion switch (only for sports seats)
- 7** - Connector for control unit for memory seat adjustment (only for seats with memory)
- 8** - Plug connection for air cushion motor (only for sports seats)
- 9** - Connector for air cushion control valve (only for sports seats)



Overview of plugs for wire harness for backrest

- 10** - Connector for airbag
- 11** - Connector for central plug
- 12** - Tie-wraps

1. Release and pull off connector **-1-** on control valve for lumbar support adjustment. → *723319 Removing and installing control valve for lumbar support adjustment - section on "Removing"*
2. Release and pull off connectors **-2 and 3-** on sensors for lumbar support. → *723419 Removing and installing lumbar support - section on "Removing"*
3. Release and pull off connector **-4-** on motor for backrest adjustment. → *728919 Removing and installing motor for backrest adjustment - section on "Removing"*
4. Release and disconnect plug connection **-5-** on motor for lumbar support adjustment. → *723619 Motor for lumbar support - section on "Removing"*
5. Release and disconnect plug connection **-6-** on air cushion switch. → *728619 Removing and installing switch for seat adjustment - section on "Removing"*
6. Release and pull off connector **-7-** on control unit for memory seat adjustment. → *729319 Removing and installing control unit for memory seat adjustment - section on "Removing"*
7. Release and disconnect plug connection **-8-** on air cushion motor. → *723919 Removing and installing air cushion motor - section on "Removing"*
8. Release and disconnect connector **-9-** on control valve for air cushion. → *723819 Removing and installing air cushion control valve - section on "Removing"*
9. Remove tie-wrap **-12-** and remove wire harness for backrest **-A-** .



Information

For standard vehicle equipment, the wire harness for airbags is incorporated into the wire harness for the backrest.

10. Remove connector **-11-** on central plug. → *692419 Removing and installing front belt lock - section on "Removing"*
11. Remove tie-wrap **-12-** and remove wire harness for airbag **-B-** .

Installing wire harness for backrest (front seat)

Installing wire harness for backrest (front seat)

Overview of plugs for wire harness for backrest

- A** - Wire harness for backrest (front seat)

B - Wire harness for airbag

1 - Connector for control valve for lumbar support adjustment
(only for lumbar support)

2 - Connector for sensor for lower air cushion on lumbar support
(only for lumbar support with memory)

3 - Connector for sensor for upper air cushion on lumbar support
(only for lumbar support with memory)

4 - Connector for motor for backrest adjustment

5 - Plug connection for motor for lumbar support adjustment (only
for lumbar support)

6 - Plug connection for air cushion switch (only for sports seats)

7 - Connector for control unit for memory seat adjustment (only for
seats with memory)

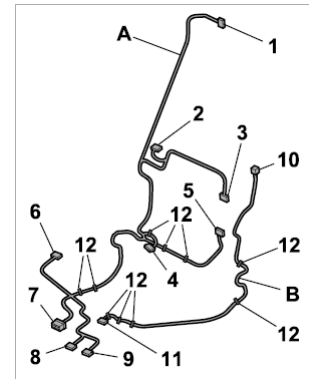
8 - Plug connection for air cushion motor (only for sports seats)

9 - Connector for control valve for air cushion (only for sports
seats)

10 - Connector for airbag

11 - Connector for central plug

12 - Tie-wraps



Overview of plugs for wire harness
for backrest

1. Route wire harness for airbag **-B-** and secure with new tie-wraps **-12-** .
2. Fit connector **-11-** on central plug. → *692419 Removing and installing front belt lock - section on "Installing"*
3. Route wire harness for backrest **-A-** and secure with new tie-wraps **-12-** .
4. Push connector **-9-** onto air cushion control valve until it engages firmly. → *723819 Removing and installing air cushion control valve - section on "Installing"*
5. Push plug connection **-8-** onto motor for air cushion until it engages firmly. → *723919 Removing and installing air cushion motor - section on "Installing"*
6. Attach connector **-7-** to control unit for memory seat adjustment until it engages firmly.
→ *729319 Removing and installing control unit for memory seat adjustment - section on "Installing"*
7. Push plug connection **-6-** onto air cushion switch until it engages firmly. → *728619 Removing and installing switch for seat adjustment - section on "Installing"*
8. Connect plug connection **-5-** on motor for lumbar support adjustment until it engages firmly.
→ *723619 Motor for lumbar support - section on "Installing"*
9. Attach connector **-4-** to motor for backrest adjustment until it engages firmly. → *728919 Removing and installing motor for backrest adjustment - section on "Installing"*

10. Push connectors **-2 and 3-** onto sensors for lumbar support until they click into place.
→ 723419 *Removing and installing lumbar support - section on "Installing"*
11. Push connector **-1-** onto control valve for lumbar support adjustment until it engages firmly.
→ 723319 *Removing and installing control valve for lumbar adjustment - section on "Installing"*

Fitting foam part

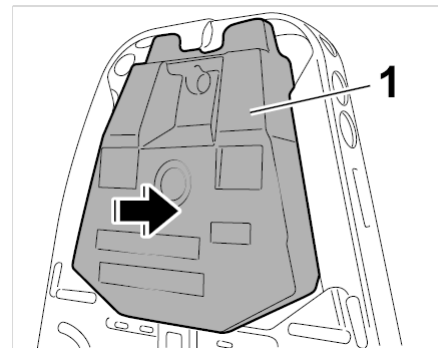


Information

Observe the installation position of the hoses!

Make sure that the hoses are not pinched. Insert hoses exactly into the cut-outs on the foam part.

1. Fit foam part **-1-** at the headrest.



Fitting foam part

Installing backrest side support

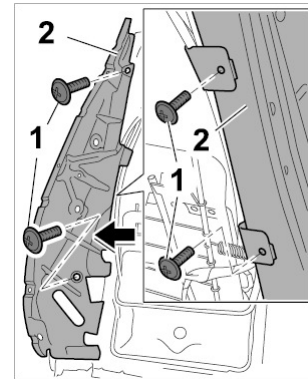


Information

Observe hose routing!

In vehicles with lumbar support, make sure the hoses are routed correctly in the area of the backrest side support.

1. Fit backrest side support **-2-** and screw down with the four fastening screws **-1-** .



Installing backrest side support

Installing support for left backrest side part

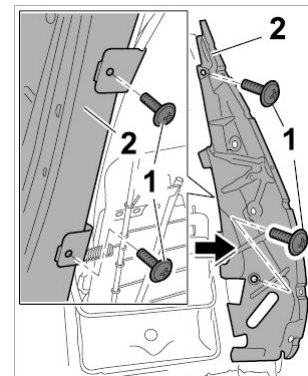


Information

Observe hose routing!

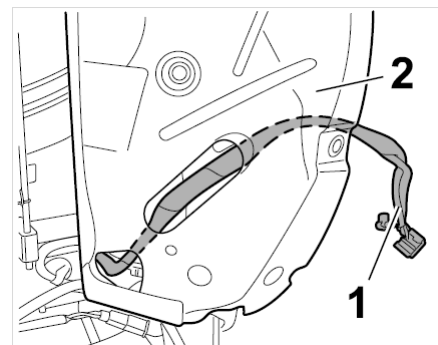
In vehicles with lumbar support, make sure the hoses are routed correctly in the area of the backrest side support.

1. Insert support for backrest side part **-2-** and secure with the four fastening screws **-1-**.



Installing support for left backrest side part

2. Route wire harness for airbag **-1-** as shown behind the backrest side part support **-2-**.



*Routing wire harness for airbag***Subsequent work****Subsequent work**

1. Install air cushion for backrest. → *721719 Removing and installing air cushion for backrest - section on "Installing"*
 2. Install cover for left backrest. → *722619 Removing and installing cover for backrest - section on "Installing"*
 3. Install cushion carrier for front backrest. → *722419 Removing and installing cushion carrier for front backrest - section on "Installing"*
-

997110, 997111, 997120, 997121, 997310, 997311, 997320, 997321, 997410, 997411, 997420, 997421, 997430, 997431, 997510, 997511, 997520, 997521, 997610, 997611, 997620, 997621, 997630, 997631, 997810, 997811, 997840, 997841, 997850, 997851, 997140, 997141, 997450, 997451, 997650, 997651, 997720, 997721, 997820, 997830, 997860, 997861, 997150, 997151, 997160, 997161, 997170, 997350, 997351, 997360, 997361, 997370, 997460, 997461, 997560, 997561, 997660, 997661

Model year as of 2005

C00, C02, C05, C07, C08, C09, C10, C11, C12, C13, C14, C15, C16, C18, C19, C20, C21, C22, C23, C24, C25, C26, C27, C28, C32, C33, C34, C35, C36, C37, C38, C39, C45, C46, C98, C99