

The present document was valid at the time of print. A later version may be available online

WM 975719 Removing and installing wire harness for AWS (folding sports bucket seat)

Technical values

Location	Description	Type	Basic value	Tolerance 1	Tolerance 2
Fastening screw securing cover for AWS sensor to seat frame, M5 x 9		Tightening torque	4 Nm (3 ftlb.)		

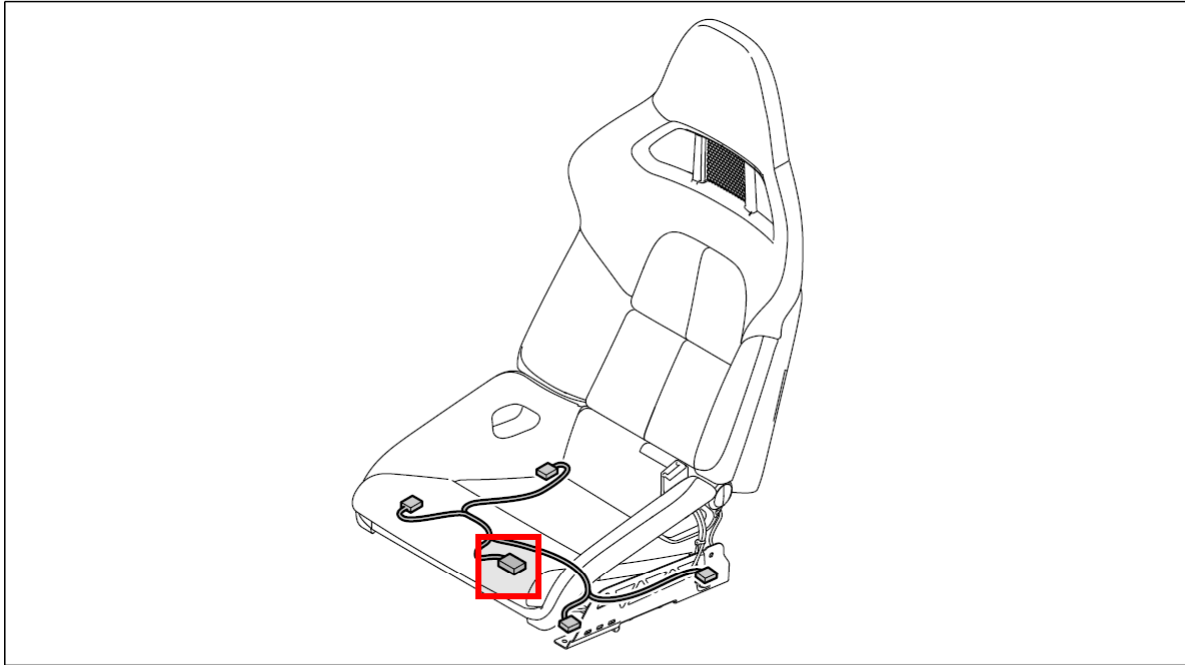
Preliminary work

Preliminary work

1. Disconnect the battery → *2706IN00 Work instructions after disconnecting the battery.*
2. Remove the front seat. → *720119 Removing and installing front seat - section on "Removing"*
3. Mount the front seat on the assembly fixture. → *7201IN Mounting front seat on assembly fixture*

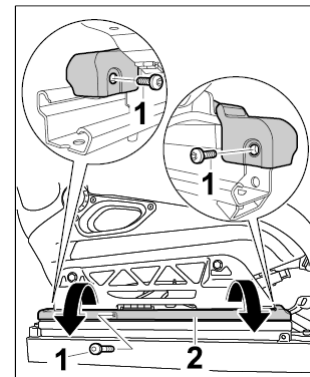
Removing wire harness for AWS (folding sports bucket seat)

Removing wire harness for AWS (folding sports bucket seat)



Installation position of wire harness for AWS (folding sports bucket seat)

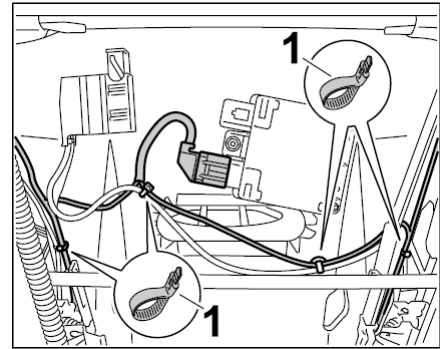
1. Remove cover for AWS sensors at the left and right.
 - 1.1. Unscrew three fastening screws **-1-**.
 - 1.2. Remove cover for AWS sensors **-2-** (**-arrows-**).



Removing cover for AWS sensors

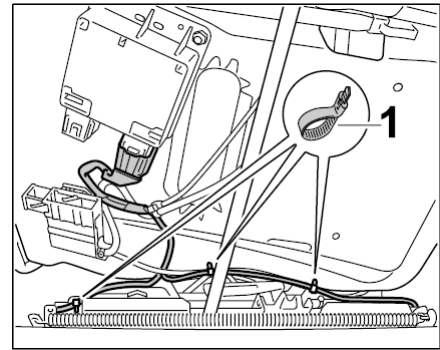
2. Remove wire harness for AWS.

- 2.1. Remove tie-wraps **-1-** on the seat shell.



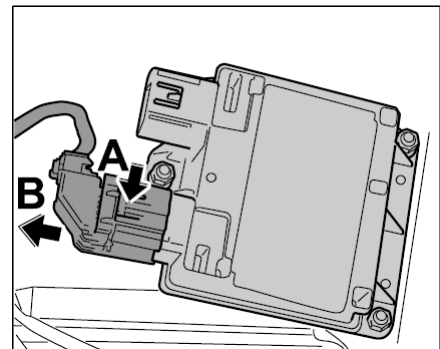
Removing wire harness for AWS at the seat shell

- 2.2. Remove tie-wraps **-1-** on the seat frame at the left and right.



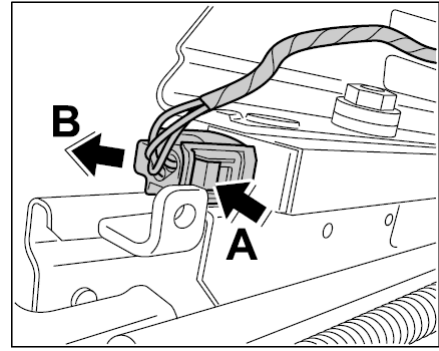
Removing wire harness for AWS at the seat frame

3. Release connector on the AWS control unit **-arrow A-** and pull it off **-arrow B-** .



Pulling off connector on AWS control unit

4. Release connectors on the four AWS sensors **-arrow A-** and pull them off **-arrow B-** .



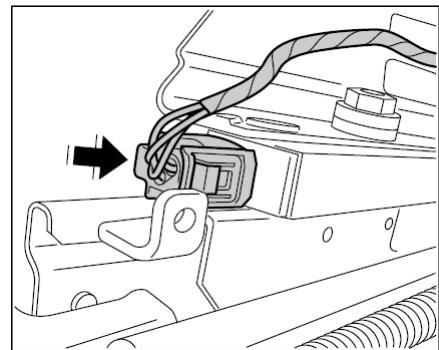
Pulling off connector on AWS sensor

5. Remove wire harness for AWS.

Installing wire harness for AWS (folding sports bucket seat)

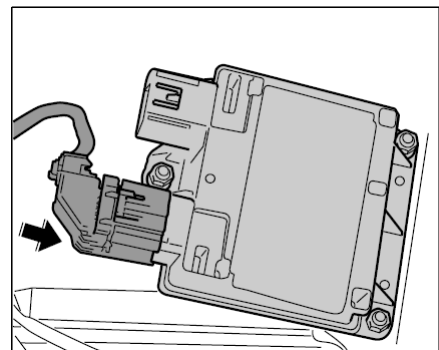
Installing wire harness for AWS (folding sports bucket seat)

1. Connect connectors to the four AWS sensors **-arrow-** until the connectors engage securely.



Connecting connector on AWS sensor

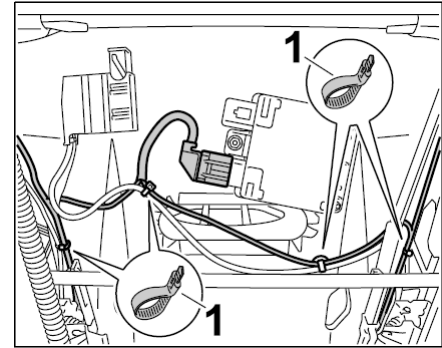
2. Connect connector to the AWS control unit **-arrow-** until the connector engages securely.



Connecting connector on AWS control unit

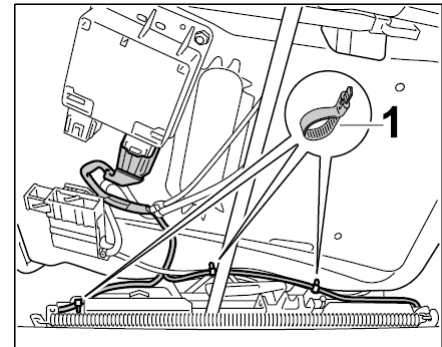
3. Secure wire harness for AWS.

- 3.1. Secure wire harness for AWS to the seat shell using new tie-wraps -1- .



Securing wire harness for AWS to the seat shell

- 3.2. Secure wire harness for AWS to the seat frame at the left and right using new tie-wraps -1- .

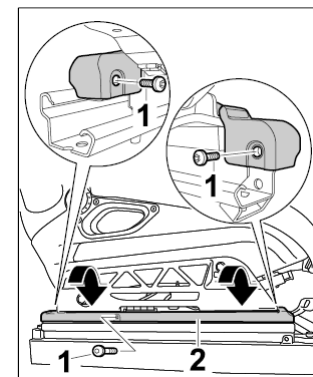


Securing wire harness for AWS to the seat frame

4. Install cover for AWS sensors at the left and right.

- 4.1. Position cover for AWS sensors -2- on the seat rail.

- 4.2. Tighten three fastening screws -1- . → **Tightening torque: 4 Nm (3 ftlb.)**.



Installing cover for AWS sensors

Subsequent work

Subsequent work

1. Install the front seat. → *720119 Removing and installing front seat - section on "Installing"*
 2. Connect the battery → *2706IN00 Work instructions after disconnecting the battery.*
-

997110, 997111, 997120, 997121, 997140, 997141, 997310, 997311, 997320, 997321, 997410, 997411, 997420, 997421, 997430, 997431, 997450, 997451, 997510, 997511, 997520, 997521, 997610, 997611, 997620, 997621, 997630, 997631, 997650, 997651, 997720, 997721, 997810, 997811, 997820, 997830, 997840, 997841, 997850, 997851, 997150, 997151, 997160, 997161, 997170, 997350, 997351, 997360, 997361, 997370, 997460, 997461, 997560, 997561, 997660, 997661, 997860, 997861

Model year as of 2008
C02, C36