

The present document was valid at the time of print. A later version may be available online

WM 977019 Removing and installing wiring harness for number plate light

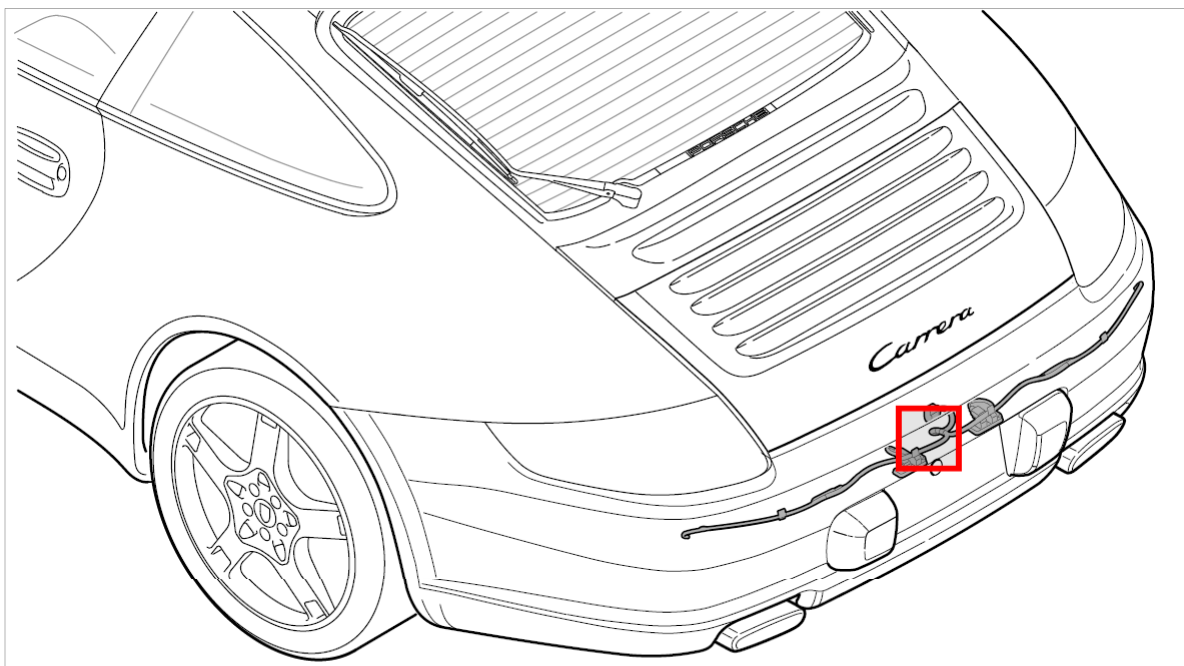
Preliminary work

Preliminary work

Remove the rear apron. → 635519 *Removing and installing rear apron - section on "Removing"*

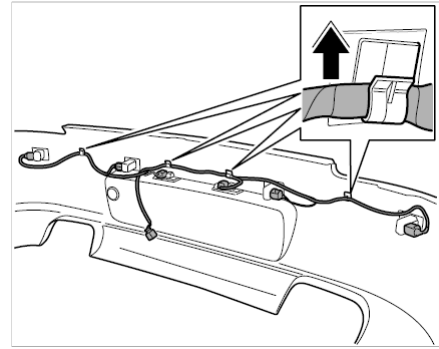
Removing wiring harness for number plate light

Removing wiring harness for number plate light



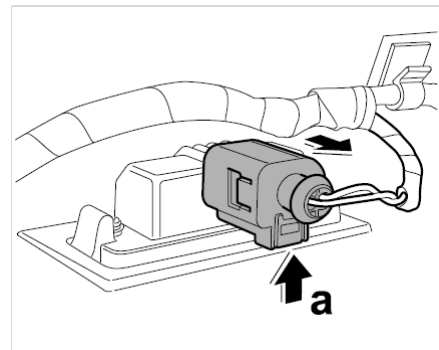
Overview of wiring harness for number plate light

1. Remove wiring harness for number plate light from the four line holders.



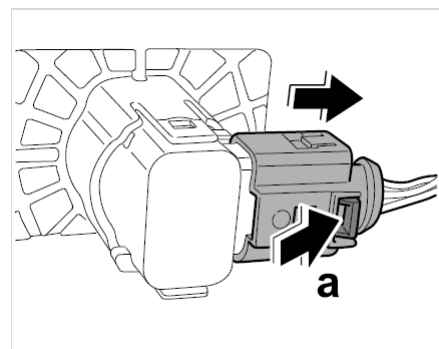
Removing wiring harness for number plate light from the four line holders

2. Release the connectors for the two number plate lights **-arrow a-** and pull them off.



Pulling off number plate light connectors

3. Release the connectors for the four ParkAssist sensors **-arrow a-** and pull them off.

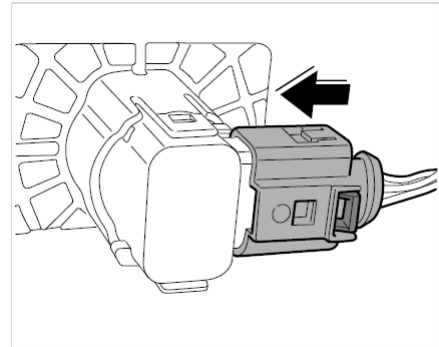


Pulling off connectors for ParkAssist sensors

Installing wiring harness for number plate light

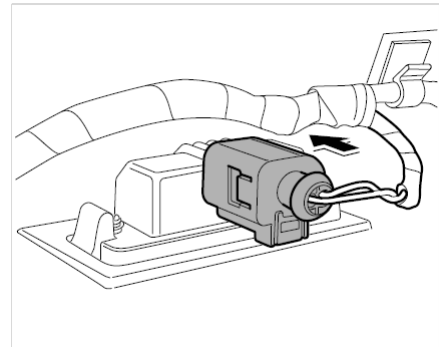
Installing wiring harness for number plate light

1. Attach the connectors to the four ParkAssist sensors until they are felt to engage.



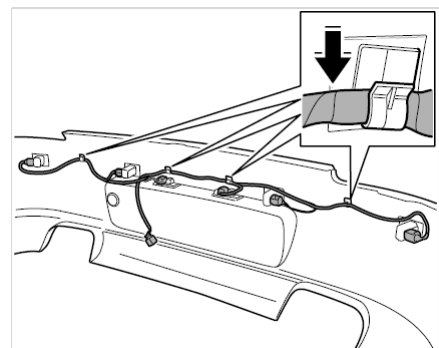
Attaching connectors for ParkAssist sensors

2. Insert the connectors for the two number plate lights until they are felt to engage.



Inserting number plate light connectors

3. Insert the wiring harness for the number plate light into the four line holders.



Inserting wiring harness for number plate light into the line holders

Subsequent work

Subsequent work

Install the rear apron. → *635519 Removing and installing rear apron - section on "Installing"*

997110, 997111, 997120, 997121, 997310, 997311, 997320, 997321, 997410, 997411, 997420, 997421, 997430, 997431, 997510, 997511, 997520, 997521, 997610, 997611, 997620, 997621, 997630, 997631, 997810, 997811, 997830, 997840, 997841, 997850, 997851

Model year as of 2005

C00, C02, C05, C07, C08, C09, C10, C11, C12, C13, C14, C15, C16, C18, C19, C20, C21, C22, C23, C24, C25, C26, C27, C28, C32, C33, C34, C35, C36, C37, C38, C39, C45, C46, C98, C99