

The present document was valid at the time of print. A later version may be available online

## WM 978119 Removing and installing wire harness for Tiptronic transmission

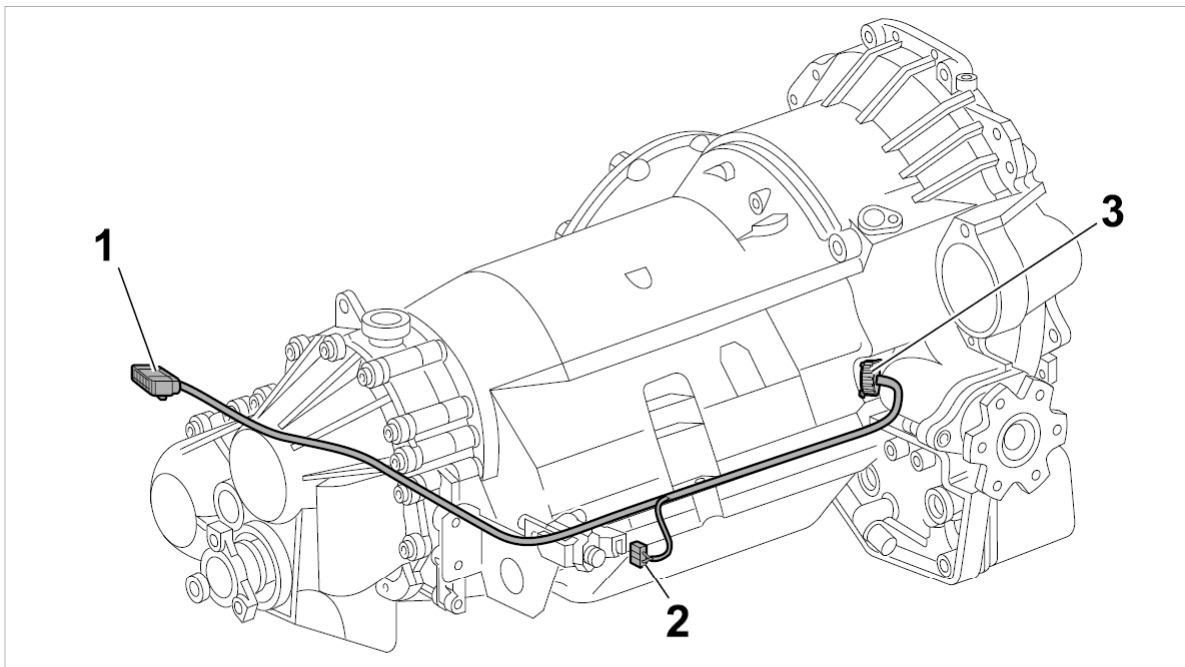
### Preliminary work

#### Preliminary work

1. Remove rear underbody cover. → 519419 Removing and installing rear cover - section on "Removing"

### Removing wire harness for Tiptronic transmission

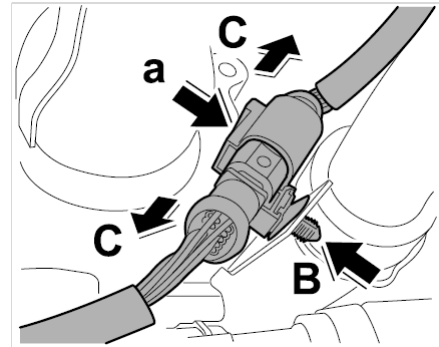
#### Removing wire harness for Tiptronic transmission



*Installation position of wiring harness for Tiptronic transmission*

- 1 - Plug connection between wire harness for Tiptronic transmission and rear wire harness
- 2 - Connector for change-over valve
- 3 - Connector for Tiptronic transmission

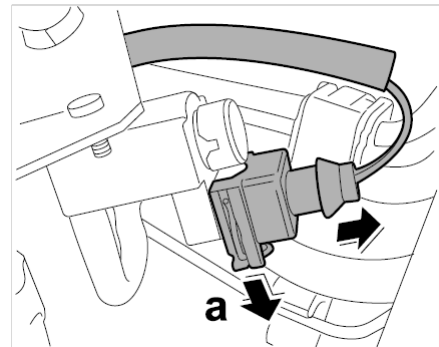
1. Disconnect plug connection between wire harness for Tiptronic transmission and rear wire harness **-1-** .



*Disconnecting plug connection between wire harness for Tiptronic transmission and rear wire harness*

- 1.1. Unclip plug connection between wire harness for Tiptronic transmission and rear wire harness **-Arrow B-**
- 1.2. Disconnect plug connection between wire harness for Tiptronic transmission and rear wire harness **-Arrow a- -Arrows C-** .

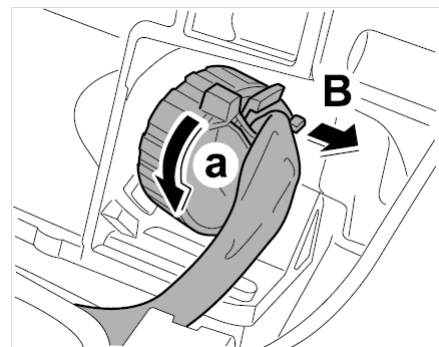
2. Pull off connector on change-over valve **-2-** .



*Pulling off connector on change-over valve*

- 2.1. Release connector on change-over valve **-Arrow a-** and pull off.

3. Pull off connector on Tiptronic transmission **-3-** .



*Pulling off connector on Tiptronic transmission*

- 3.1. Release connector on Tiptronic transmission by turning anti-clockwise **-Arrow a-** and remove **-Arrow B-**

4. Remove wire harness for Tiptronic transmission.

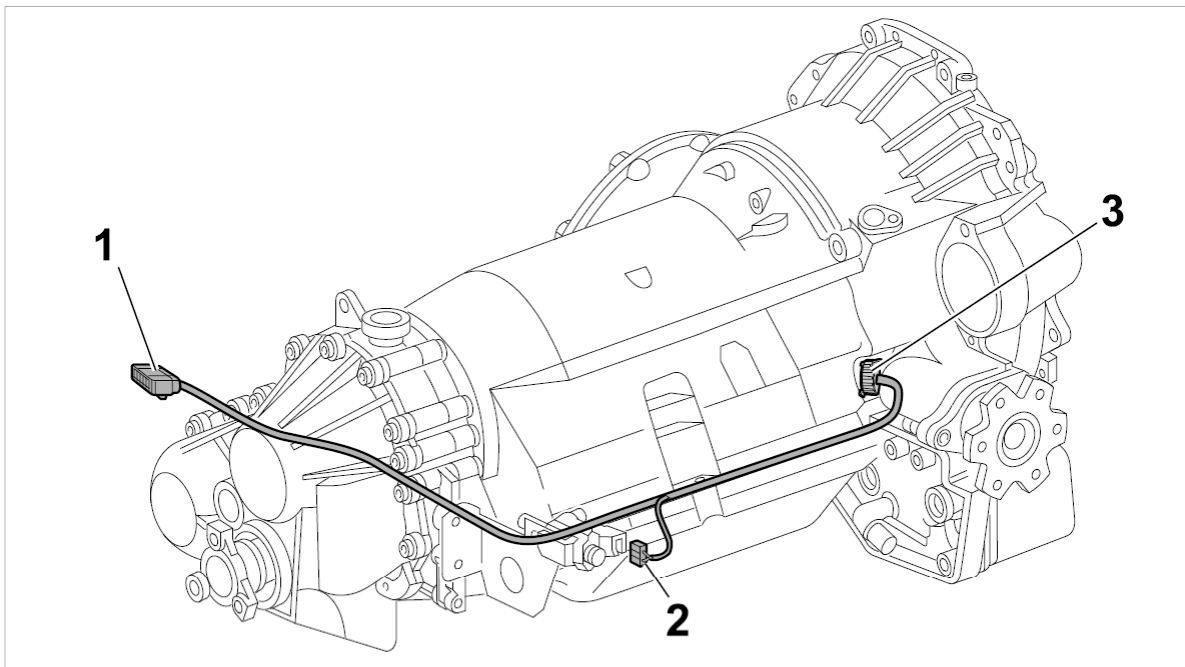


*Removing wire harness for Tiptronic transmission*

- 4.1. Unclip and remove wire harness for Tiptronic transmission from the sheetmetal clips.

## Installing wire harness for Tiptronic transmission

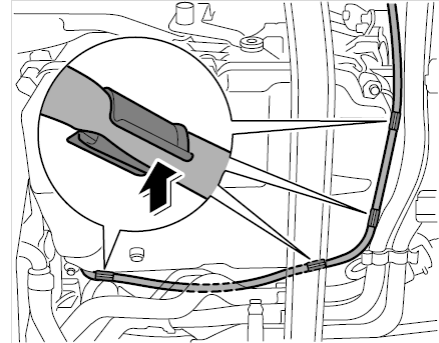
### Installing wire harness for Tiptronic transmission



*Installation position of wire harness for Tiptronic transmission*

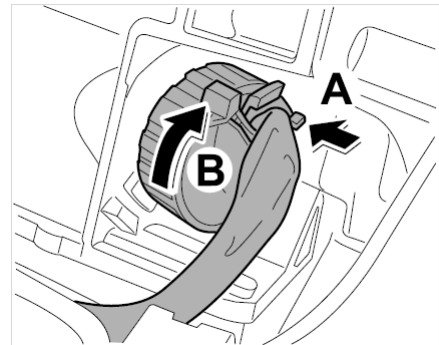
- 1 - Plug connection between wire harness for Tiptronic transmission and rear wire harness
- 2 - Connector for change-over valve
- 3 - Connector for Tiptronic transmission

1. Install wire harness for Tiptronic transmission.



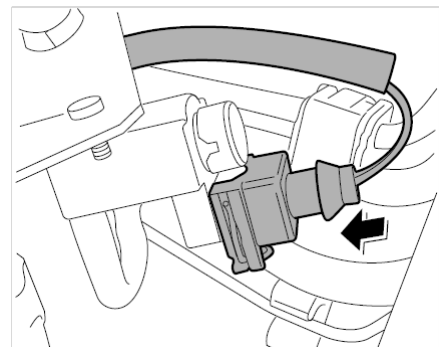
*Installing wire harness for Tiptronic transmission*

- 1.1. Lay wire harness for Tiptronic transmission and clip into the sheetmetal clips.
2. Push connector onto Tiptronic transmission **-3-** .



*Pushing connector onto Tiptronic transmission*

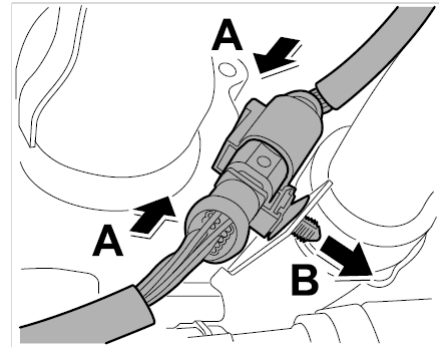
- 2.1. Push connector onto Tiptronic transmission **-Arrow A-** and lock by turning clockwise **-Arrow B-**
3. Push connector onto change-over valve **-2-** .



*Pushing connector onto change-over valve*

- 3.1. Push connector onto change-over valve until it is felt to engage.

4. Push together plug connection between wire harness for Tiptronic transmission and rear wire harness **-1-** .



*Pushing together plug connection between wire harness for Tiptronic transmission and rear wire harness*

- 4.1. Push together plug connection between wire harness for Tiptronic transmission and rear wire harness until it is felt to engage **-Arrows A-** .
- 4.2. Clip in plug connection between wire harness for Tiptronic transmission and rear wire harness **-Arrow B-** .

## Subsequent work

### Subsequent work

1. Install rear underbody cover. → 519419 Removing and installing rear cover - section on "Installing"

997110, 997111, 997120, 997121, 997140, 997141, 997310, 997311, 997320, 997321, 997410, 997411, 997420, 997421, 997430, 997431, 997450, 997451, 997510, 997511, 997520, 997521, 997610, 997611, 997620, 997621, 997630, 997631, 997650, 997651

Model year as of 2005, Model year up to 2008

C00, C02, C05, C07, C08, C09, C10, C11, C12, C13, C14, C15, C16, C18, C19, C20, C21, C22, C23, C24, C25, C26, C27, C28, C32, C33, C34, C35, C36, C37, C38, C39, C45, C46, C98, C99